
Photo-electric sensors miniature design XUM range

Catalogue



Simply easy!™

Photo-electric sensors miniature design XUM range

- **References**
 - Thru-beam system page 2
 - Polarised reflex system page 3
 - Background suppression system page 3
 - Diffuse system page 4
 - Fixing accessories page 5
 - Cabling accessories pages 16 to 21
- **Characteristics** page 6
- **Wiring schemes** page 7
- **Curves** pages 8 to 11
- **Dimensions** pages 12 to 15
- **Product reference index** page 22

Photo-electric sensors

XUM, general purpose, single mode function

Miniature design, plastic

Three-wire DC, solid-state output

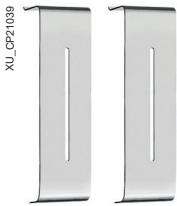
Potentiometer setting for NO/NC, sensitivity



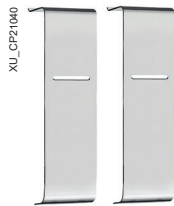
XUM2A●XBL2



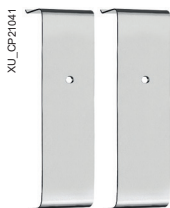
XUM2A●XBM8



XUZDVM●●



XUZDHM●●



XUZDRM●●

Thru-beam system with adjustable sensitivity

| Max./operating sensing distance (Sn) | Function | Output | Connection | Reference | Weight kg |
|--------------------------------------|--|--------|----------------------|-------------------|-----------|
| Transmitter + receiver | | | | | |
| 30 m/24 m | Light ON (NC)/ Dark ON (NO) configuration by potentiometer | PNP | Pre-cabled (L = 2 m) | XUM2APXBL2 | 0.096 |
| | | | M8 connector (4-pin) | XUM2APXBM8 | 0.026 |
| | | NPN | Pre-cabled (L = 2 m) | XUM2ANXBL2 | 0.096 |
| | | | M8 connector (4-pin) | XUM2ANXBM8 | 0.026 |

Transmitter only (1)

| | | | | | |
|-----------|--|--|----------------------|--------------------|-------|
| 30 m/24 m | | | Pre-cabled (L = 2 m) | XUM2AKXBL2T | 0.063 |
| | | | M8 connector (4-pin) | XUM2AKXBM8T | 0.010 |

Receiver only (1)

| | | | | | |
|-----------|--|-----|----------------------|--------------------|-------|
| 30 m/24 m | Light ON (NC)/ Dark ON (NO) configuration by potentiometer | PNP | Pre-cabled (L = 2 m) | XUM2APXBL2R | 0.630 |
| | | | M8 connector (4-pin) | XUM2APXBM8R | 0.010 |
| | | NPN | Pre-cabled (L = 2 m) | XUM2ANXBL2R | 0.063 |
| | | | M8 connector (4-pin) | XUM2ANXBM8R | 0.010 |

Accessories for thru-beam system

| Description | Dimensions | Sensing distance | Reference | Weight |
|--|------------|------------------|-----------------|--------|
| | mm | m | | kg |
| Vertical diaphragm <i>Sold in lots of 2</i> | 0.5 x 6.4 | 1 | XUZDVM05 | 0.003 |
| | 1 x 6.4 | 1.5 | XUZDVM10 | 0.003 |
| | 2 x 6.4 | 3.5 | XUZDVM20 | 0.003 |
| Horizontal diaphragm <i>Sold in lots of 2</i> | 0.5 x 6.4 | 0.7 | XUZDHM05 | 0.003 |
| | 1 x 6.4 | 1.5 | XUZDHM10 | 0.003 |
| | 2 x 6.4 | 3 | XUZDHM20 | 0.003 |
| Round diaphragm <i>Sold in lots of 2</i> | 0.5 x 6.4 | 0.08 | XUZDRM05 | 0.003 |
| | 1 x 6.4 | 0.3 | XUZDRM10 | 0.003 |
| | 2 x 6.4 | 1.2 | XUZDRM20 | 0.003 |

Fixing accessories

See page 5.

Cabling accessories

See pages 16 to 21.

(1) To order these references, please consult our Customer Care Centre.

Photo-electric sensors

XUM, general purpose, single mode function

Miniature design, plastic

Three-wire DC, solid-state output

Potentiometer setting for NO/NC, sensitivity



XUM9A●XBL2



XUM9A●XBM8



XUZC50



XUZC39



XUZC60S11



XUM8A●XBL2



XUM8A●XBM8

Polarised reflex system with adjustable sensitivity

Sensors

| Max./operating sensing distance (Sn) | Function | Output | Connection | Reference | Weight kg |
|--------------------------------------|--|--------|----------------------|-------------------|-----------|
| 8 m/6.7 m with reflector XUZC50 | Light ON (NC)/ Dark ON (NO) configuration by potentiometer | PNP | Pre-cabled (L = 2 m) | XUM9APXBL2 | 0.063 |
| | | | M8 connector (4-pin) | XUM9APXBM8 | 0.010 |
| | | NPN | Pre-cabled (L = 2 m) | XUM9ANXBL2 | 0.063 |
| | | | M8 connector (4-pin) | XUM9ANXBM8 | 0.010 |

Reflectors

| Description | Size | Fixing mode | Reference | Weight kg |
|----------------------------|-----------------|---------------------------|------------------|-----------|
| Rigid square reflectors | 100 mm x 100 mm | 2 brackets (not provided) | XUZC100 | 0.035 |
| | 51.5 mm x 69 mm | 6 holes | XUZC50 | 0.020 |
| Rigid rectangle reflectors | 45 mm x 29 mm | 2 holes | XUZC24 | 0.010 |
| | 40 mm x 60 mm | 2 holes | XUZC60S11 | 0.022 |
| Rigid circular reflectors | Ø 39 mm | Adhesive | XUZC39 | 0.008 |

Note: All reflectors are IP 67 and IP 69K.

Background suppression system with adjustable sensitivity

| Max./operating sensing distance (Sn) | Function | Output | Connection | Reference | Weight kg |
|---------------------------------------|--|--------|----------------------|-------------------|-----------|
| 300 mm/200 mm (white object or paper) | Light ON (NO)/ Dark ON (NC) configuration by potentiometer | PNP | Pre-cabled (L = 2 m) | XUM8APXBL2 | 0.063 |
| | | | M8 connector (4-pin) | XUM8APXBM8 | 0.010 |
| | | NPN | Pre-cabled (L = 2 m) | XUM8ANXBL2 | 0.063 |
| | | | M8 connector (4-pin) | XUM8ANXBM8 | 0.010 |

Accessories

Fixing accessories

See page 5.

Cabling accessories

See pages 16 to 21.

Photo-electric sensors

XUM, general purpose, single mode function

Miniature design, plastic

Three-wire DC, solid-state output

Potentiometer setting for NO/NC, sensitivity



XUM4A●XBL2



XUM4A●XBM8



XUM6A●XBL2



XUM6A●XBM8



XUM5A●XBL2



XUM5A●XBM8

Diffuse system with adjustable sensitivity

| Max./operating sensing distance (Sn) | Function | Output | Connection | Reference | Weight kg |
|--------------------------------------|--|--------|----------------------|-------------------|-----------|
| Diffuse short range | | | | | |
| 0.25 m/0.17 m | Light ON (NO)/ Dark ON (NC) configuration by potentiometer | PNP | Pre-cabled (L = 2 m) | XUM4APXBL2 | 0.063 |
| | | | M8 connector (4-pin) | XUM4APXBM8 | 0.010 |
| | | NPN | Pre-cabled (L = 2 m) | XUM4ANXBL2 | 0.063 |
| | | | M8 connector (4-pin) | XUM4ANXBM8 | 0.010 |

Diffuse medium range

| | | | | | |
|-------------|--|-----|----------------------|-------------------|-------|
| 1.1 m/0.8 m | Light ON (NO)/ Dark ON (NC) configuration by potentiometer | PNP | Pre-cabled (L = 2 m) | XUM6APXBL2 | 0.063 |
| | | | M8 connector (4-pin) | XUM6APXBM8 | 0.010 |
| | | NPN | Pre-cabled (L = 2 m) | XUM6ANXBL2 | 0.063 |
| | | | M8 connector (4-pin) | XUM6ANXBM8 | 0.010 |

Diffuse long range

| | | | | | |
|-------------|--|-----|----------------------|-------------------|-------|
| 1.9 m/1.5 m | Light ON (NO)/ Dark ON (NC) configuration by potentiometer | PNP | Pre-cabled (L = 2 m) | XUM5APXBL2 | 0.063 |
| | | | M8 connector (4-pin) | XUM5APXBM8 | 0.010 |
| | | NPN | Pre-cabled (L = 2 m) | XUM5ANXBL2 | 0.063 |
| | | | M8 connector (4-pin) | XUM5ANXBM8 | 0.010 |

Photo-electric sensors

XUM, general purpose, single mode function

Miniature design, plastic

Three-wire DC, solid-state output

Potentiometer setting for NO/NC, sensitivity



XUZASM04



XUZASM03



XUZASM02



XUZA50



XUZASM05

Accessories for all XUM miniature sensors

Fixing accessories

| Description | For use with sensors | Reference | Weight kg |
|---|--------------------------|-----------------|-----------|
| Rear mounting bracket Supplied with 2 M3 screws | XUM●A●XBL2 XUM●A●XBM8 | XUZASM04 | 0.030 |
| Wrap around vertical mounting bracket, for pre-cabled sensors Supplied with 2 M3 screws | XUM●A●XBL2 | XUZASM03 | 0.062 |
| Wrap around horizontal mounting bracket, for pre-cabled sensors Supplied with 2 M3 screws | XUM●A●XBL2 | XUZASM02 | 0.030 |
| Metal fixing bracket Supplied with 2 M3 screws | XUM●A●XBL2 XUM●A●XBM8 | XUZA50 | 0.025 |

Setting-up accessory

| | | | |
|---|--------------------------|-----------------|-------|
| Air blower mounting block (1) for cleaning the sensitive face of the sensor, using compressed air. | XUM●A●XBL2 XUM●A●XBM8 | XUZASM05 | 0.030 |
|---|--------------------------|-----------------|-------|

Supplied with 2 mounting screws (M3 x 20),
1 air supply port plugging screw for the
unused port (of 2 available) and 1 gasket.

Cabling accessories

See pages 16 to 21.

(1) The air tube is not provided.

Photo-electric sensors

XUM, general purpose, single mode function

Miniature design, plastic

Three-wire DC, solid-state output

Potentiometer setting for NO/NC, sensitivity

| Characteristics | | | | |
|-----------------------------------|---|------|--|--|
| Sensor type | | | XUM●A●XBM8 | XUM●A●XBL2 |
| Product certifications | | | CE, UKCA, cULus EAC, RCM (pending) | |
| Connection | Connector | | M8 | – |
| | Pre-cabled | | – | Length: 2 m |
| Nominal sensing distance Sn | Système barrage | XUM2 | m | 30 (with excess gain = 1) 24 (with excess gain = 2) |
| | Polarised reflex system (using a 50 x 50 mm reflector XUZC50) | XUM9 | m | 0.05...8 (with excess gain = 1) 0.05...6.7 (with excess gain = 2) |
| | Background suppression system | XUM8 | mm | 4 mm...300 mm: White paper or object. Sn (90%) 5 mm...265 mm: Grey object. Sn (18%) 8 mm...200 mm: Black object. Sn (6%) |
| | Diffuse system (using a white paper 200 x 200 mm) | XUM4 | m | 0.25 (with excess gain = 1) 0.17 (with excess gain = 2) |
| XUM5 | | m | 1.9 (with excess gain = 1) 1.5 (with excess gain = 2) | |
| XUM6 | | m | 1.1 (with excess gain = 1) 0.8 (with excess gain = 2) | |
| Hysteresis | | | 2 % < H < 20 % at Sn | |
| Type of transmission | Red | | Thru-beam system XUM2 Polarised reflex system XUM9 Background suppression system XUM8 Diffuse system XUM6 | |
| | Infrared | | Diffuse system XUM4 and XUM5 | |
| Degree of protection | Conforming to IEC 60529 | | IP 65, IP 67 | |
| Storage temperature | | | °C | - 40...+ 70 |
| Operating temperature | | | °C | - 30...+ 55 |
| Materials | Case | | PBT | |
| | Lens | | PMMA | |
| | Display | | PC | |
| | Cable | | – | PVC |
| Vibration resistance | Conforming to IEC 60068-2-6 | | Frequency range: 10 to 500 Hz Acceleration: 9 gn | |
| Shock resistance | Conforming to IEC 60068-2-27 | | Peak acceleration: 100 gn Duration of the pulse: 11 ms | |
| Indicator lights | Output state | | Yellow LED | |
| | Stability | | Green LED (XUM4, XUM5, XUM6, XUM8, XUM9) | |
| | Power on | | Green LED (XUM2) | |
| Rated supply voltage | | | V | --- 12...24 with protection against reverse polarity |
| Voltage limits (including ripple) | | | V | --- 12...24 |
| Current consumption, no-load | | | mA | < 20 max. |
| Switching capacity | | | mA | 100 |
| Voltage drop, closed state | | | V | ≤ 2 |
| Maximum switching frequency | | | Hz | 1000 |
| Delays | First-up | | ms | < 100 |
| | Response | | ms | 0.5 |
| | Recovery | | ms | 0.5 |

Photo-electric sensors

XUM, general purpose, single mode function

Miniature design, plastic

Three-wire DC, solid-state output

Potentiometer setting for NO/NC, sensitivity

Wiring schemes

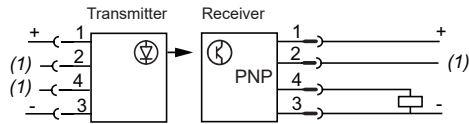
Thru-beam system

M8 connector - 4 pins



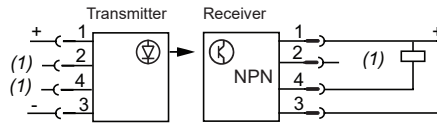
PNP

XUM2APXBM8



NPN

XUM2ANXBM8

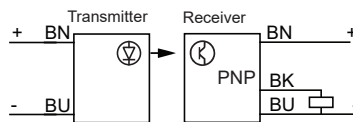


Pre-cabled - 3 wires

(-) BU (Blue)
 (+) BN (Brown)
 OUT/Output BK (Black)

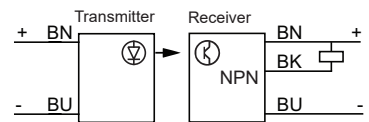
PNP

XUM2APXBL2



NPN

XUM2ANXBL2



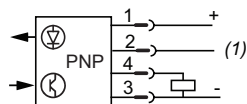
Polarised reflex, background suppression and diffuse systems

M8 connector - 4 pins



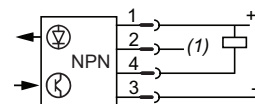
PNP

XUM●APXBM8



NPN

XUM●ANXBM8

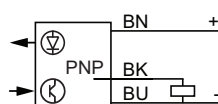


Pre-cabled - 3 wires

(-) BU (Blue)
 (+) BN (Brown)
 OUT/Output BK (Black)

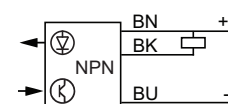
PNP

XUM●APXBL2



NPN

XUM●ANXBL2



(1): Not connected.

Photo-electric sensors

XUM, general purpose, single mode function

Miniature design, plastic

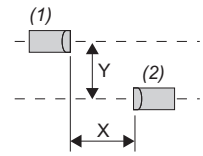
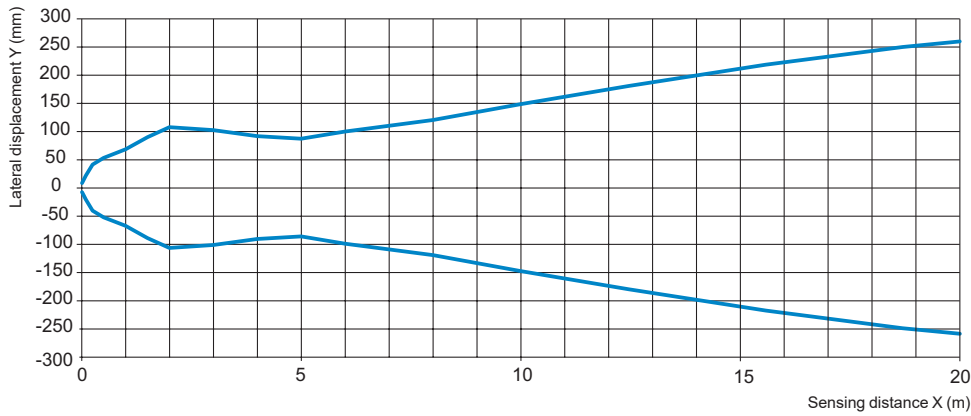
Three-wire DC, solid-state output

Potentiometer setting for NO/NC, sensitivity

Detection curves

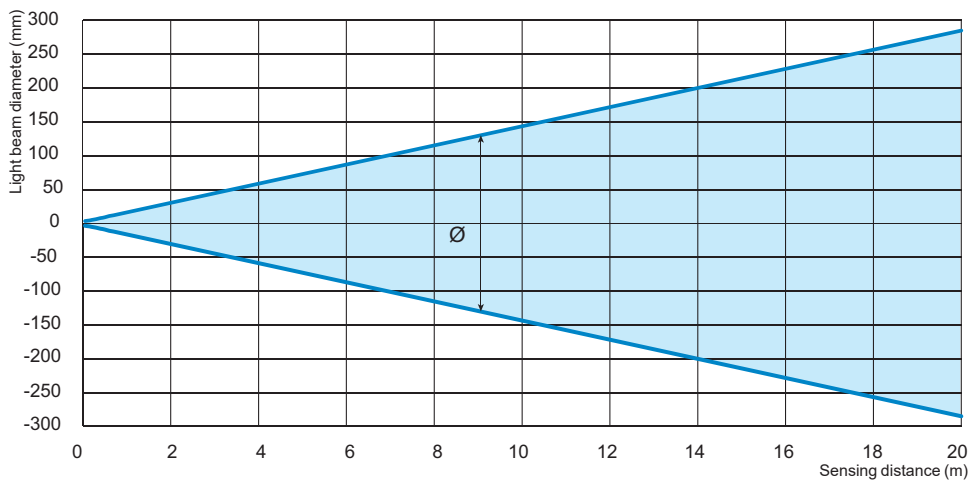
Thru-beam system: XUM2

Lateral displacement



(1): Transmitter
(2): Receiver

Light beam diameter



Excess gain

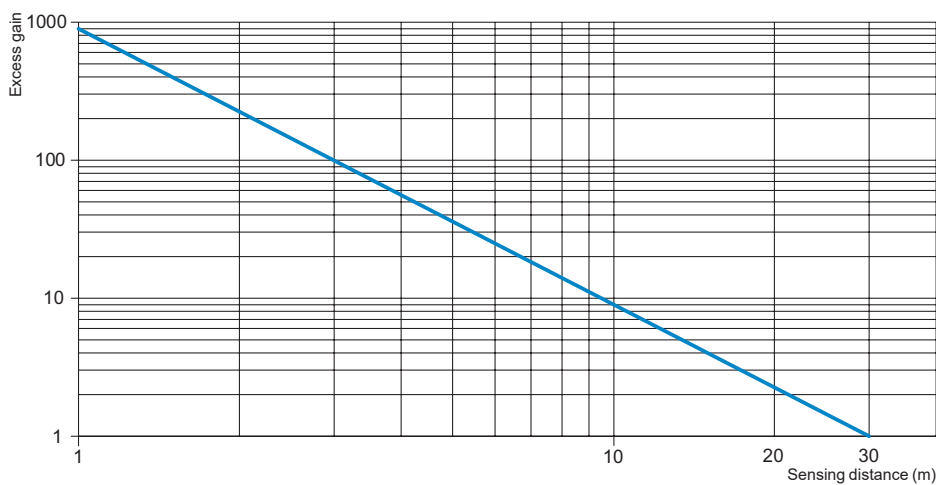


Photo-electric sensors

XUM, general purpose, single mode function

Miniature design, plastic

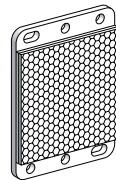
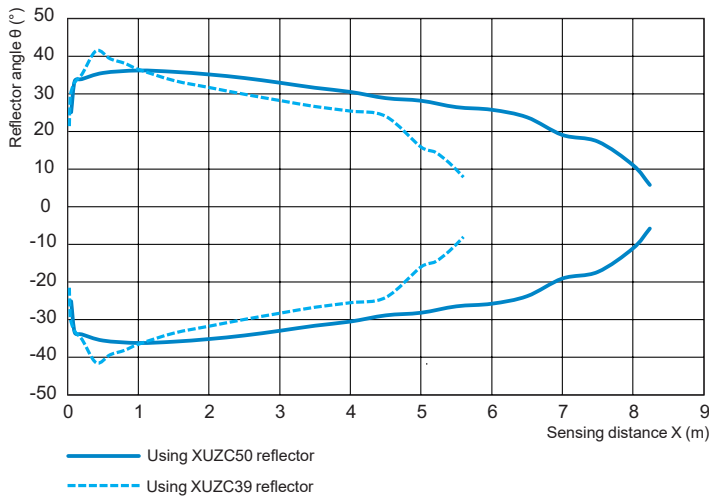
Three-wire DC, solid-state output

Potentiometer setting for NO/NC, sensitivity

Detection curves

Polarised reflex system: XUM9

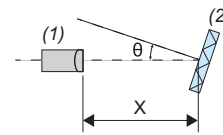
Reflector angle



XUZC50

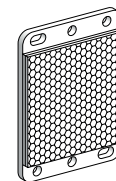
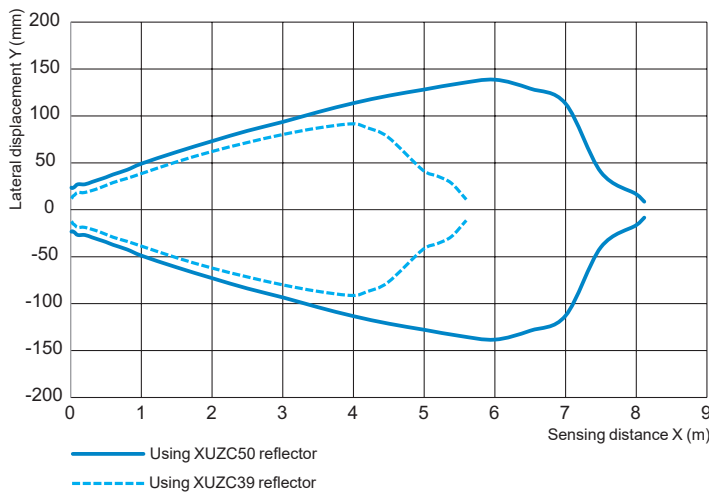


XUZC39



(1): Sensor
(2): Reflector
 θ : Reflector angle (°)
X: Sensing distance (m)

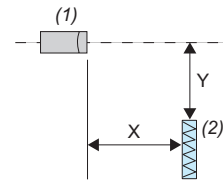
Lateral displacement



XUZC50

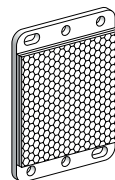
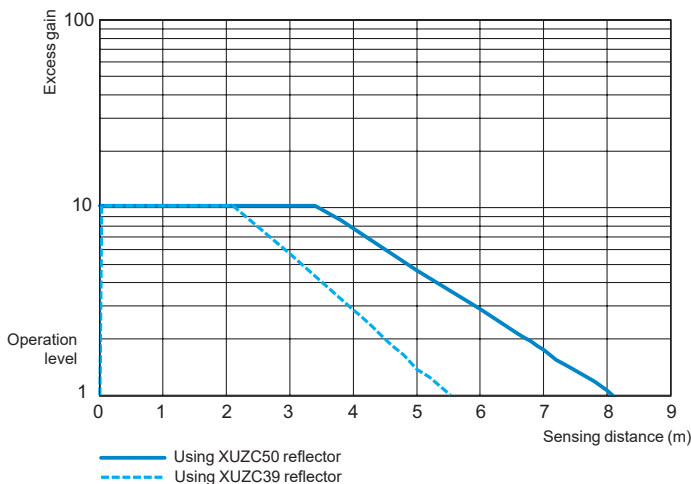


XUZC39



(1): Sensor
(2): Reflector
Y: Lateral displacement (mm)
X: Sensing distance (m)

Excess gain



XUZC50



XUZC39

Photo-electric sensors

XUM, general purpose, single mode function

Miniature design, plastic

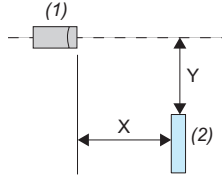
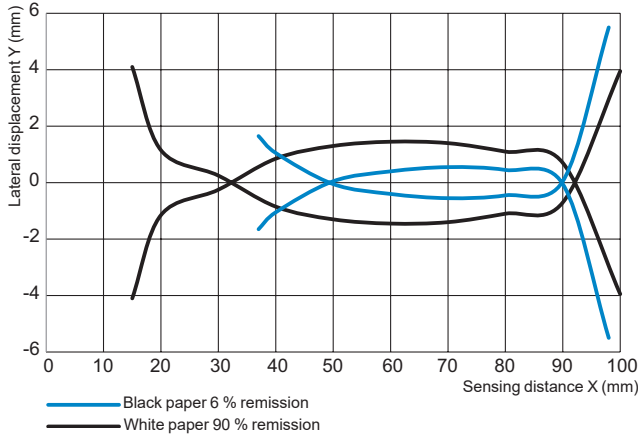
Three-wire DC, solid-state output

Potentiometer setting for NO/NC, sensitivity

Detection curves (continued)

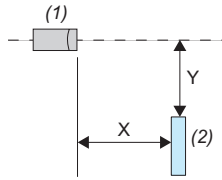
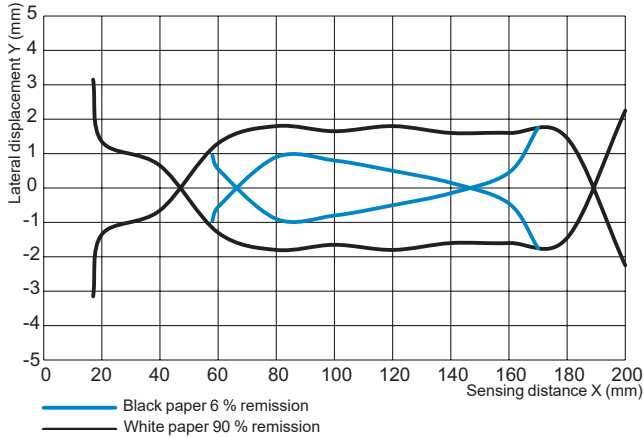
Background suppression system: XUM8

Lateral displacement (preset 100 mm)



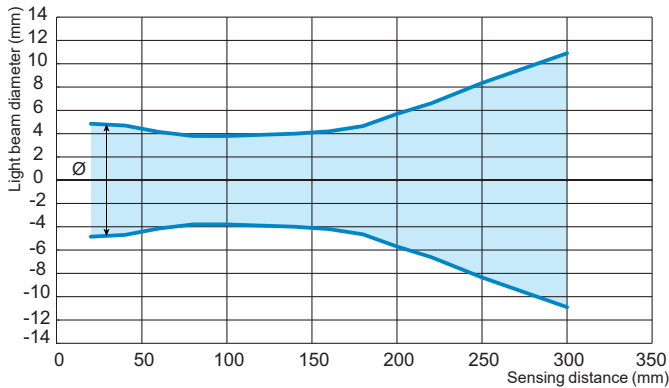
(1): Sensor
(2): Object (200 mm square white and black mat paper)
X: Sensing distance (mm)
Y: Lateral displacement (mm)

Lateral displacement (preset 200 mm)

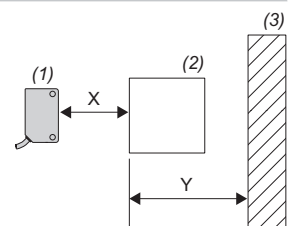
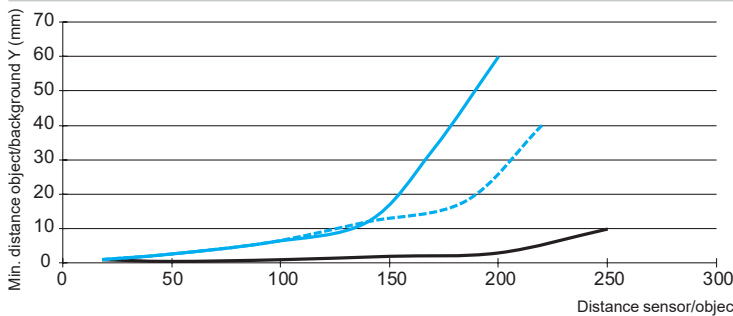


(1): Sensor
(2): Object (200 mm square white and black mat paper)
X: Sensing distance (mm)
Y: Lateral displacement (mm)

Light beam diameter



Minimum distance between the object to detect and white background



(1): Sensor
(2): Object
(3): Background
X: Distance sensor/object (mm)
Y: Min. distance object/background (mm)

Photo-electric sensors

XUM, general purpose, single mode function

Miniature design, plastic

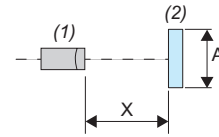
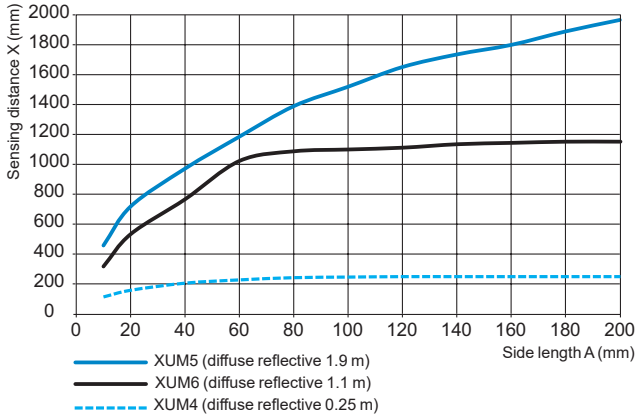
Three-wire DC, solid-state output

Potentiometer setting for NO/NC, sensitivity

Detection curves (continued)

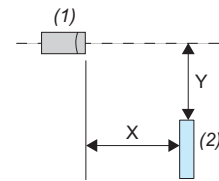
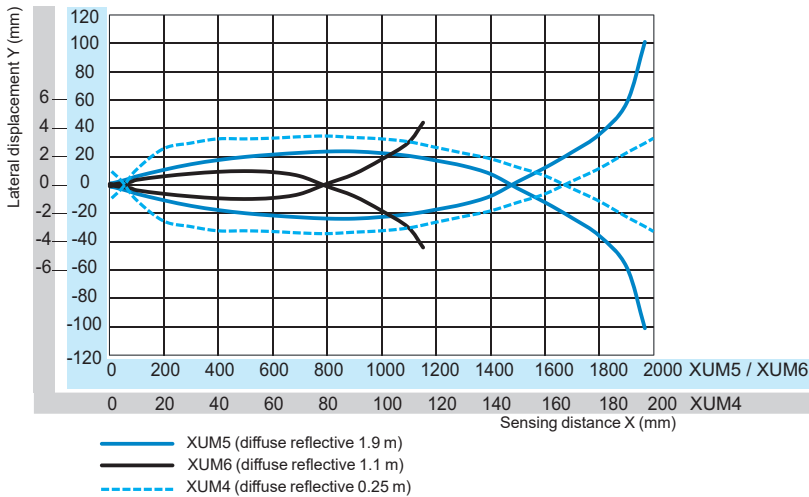
Diffuse system: XUM4, XUM5 and XUM6

Object size/sensing distance



(1): Sensor
 (2): Object (white mat paper of A mm square)
 A: Side length (mm)
 X: Sensing distance (mm)

Lateral displacement



(1): Sensor
 (2): Object (200 x 200 mm square white paper)
 X: Sensing distance (mm)
 Y: Lateral displacement (mm)

Excess gain

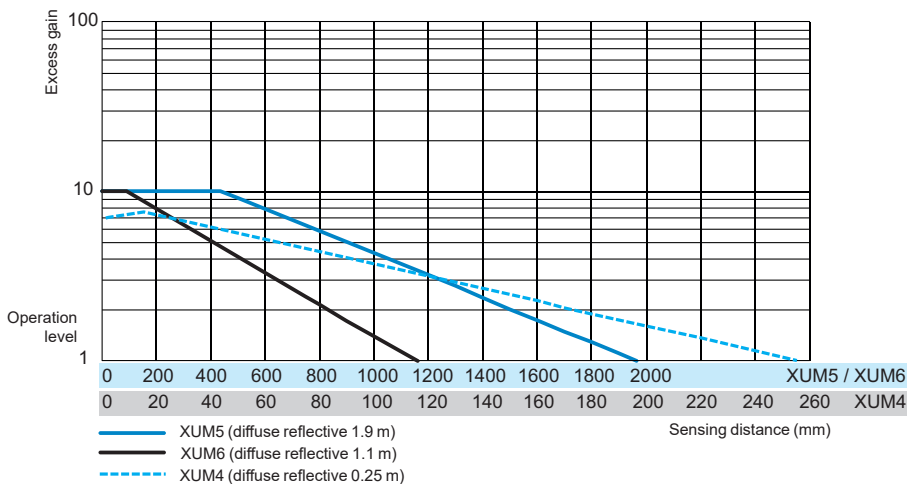


Photo-electric sensors

XUM, general purpose, single mode function

Miniature design, plastic

Three-wire DC, solid-state output

Potentiometer setting for NO/NC, sensitivity

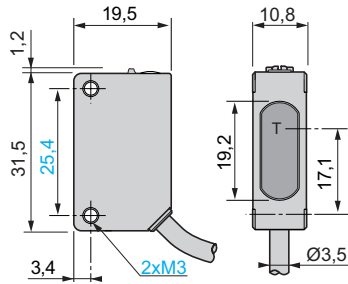
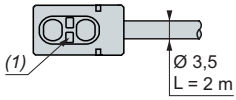
Thru-beam system

Pre-cabled version

Transmitter

Description - XUM2A●XBL2

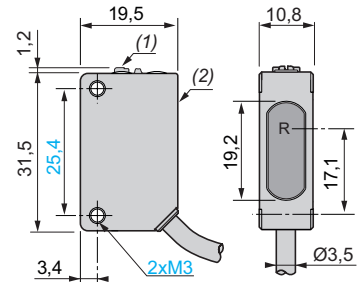
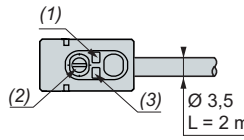
Dimensions - XUM2A●XBL2



Receiver

Description - XUM2A●XBL2

Dimensions - XUM2A●XBL2

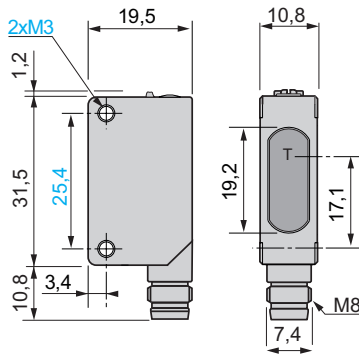
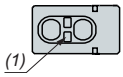


M8 connector version

Transmitter

Description - XUM2A●XBM8

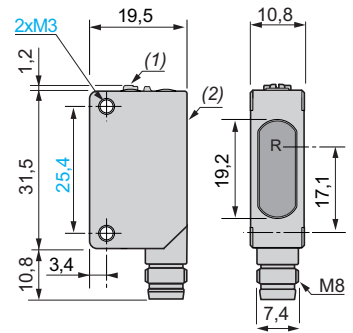
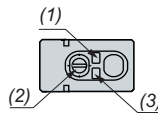
Dimensions - XUM2A●XBM8



Receiver

Description - XUM2A●XBM8

Dimensions - XUM2A●XBM8



(1) Power ON indicator (green).

T: Transmission.

(1) Output indicator (yellow)

(2) Setting potentiometer (sensitivity).

(3) Power ON indicator (green).

R: Reception.

(1) Setting potentiometer (sensitivity).

(2) Setting potentiometer (output).

Photo-electric sensors

XUM, general purpose, single mode function

Miniature design, plastic

Three-wire DC, solid-state output

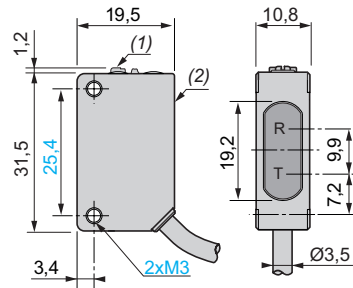
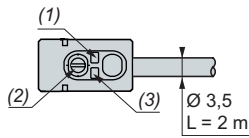
Potentiometer setting for NO/NC, sensitivity

Polarised reflex system

Pre-cabled version

Description - XUM9A●XBL2

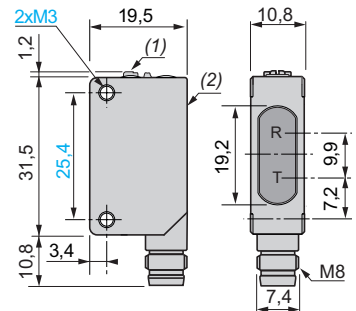
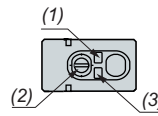
Dimensions - XUM9A●XBL2



M8 connector version

Description - XUM9A●XBM8

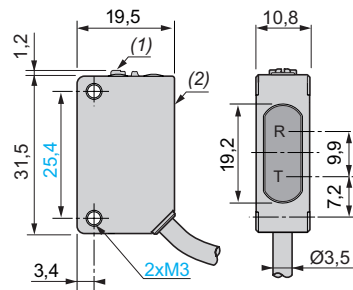
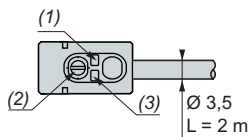
Dimensions - XUM9A●XBM8



Background suppression system

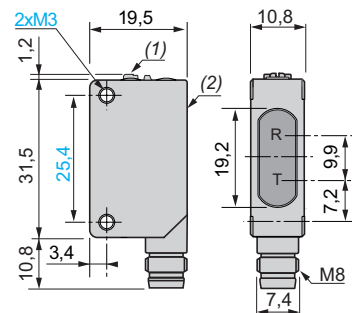
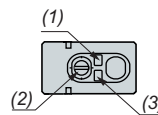
Description - XUM8A●XBL2

Dimensions - XUM8A●XBL2



Description - XUM8A●XBM8

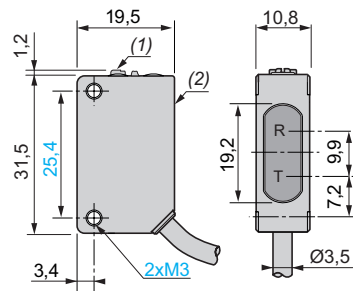
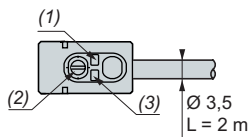
Dimensions - XUM8A●XBM8



Diffuse system

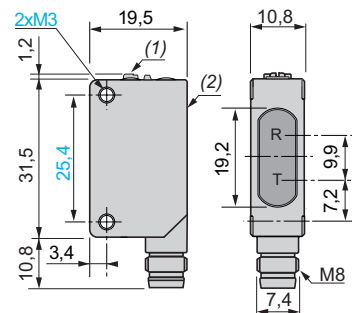
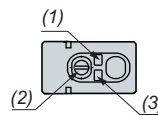
Description - XUM5A●XBL2,
XUM6A●XBL2,
XUM4A●XBL2

Dimensions - XUM5A●XBL2,
XUM6A●XBL2,
XUM4A●XBL2



Description - XUM5A●XBM8,
XUM6A●XBM8,
XUM4A●XBM8

Dimensions - XUM5A●XBM8,
XUM6A●XBM8,
XUM4A●XBM8



- (1) Output indicator (yellow)
- (2) Setting potentiometer (sensitivity)
- (3) Stability indicator (green).

- R: Reception.
- T: Transmission.
- (1) Setting potentiometer (sensitivity).
- (2) Setting potentiometer (output).

- (1) Output indicator (yellow)
- (2) Setting potentiometer (sensitivity)
- (3) Stability indicator (green).

- R: Reception.
- T: Transmission.
- (1) Setting potentiometer (sensitivity).
- (2) Setting potentiometer (output).

Photo-electric sensors

XUM, general purpose, single mode function

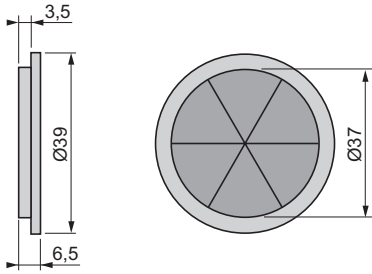
Miniature design, plastic

Accessories

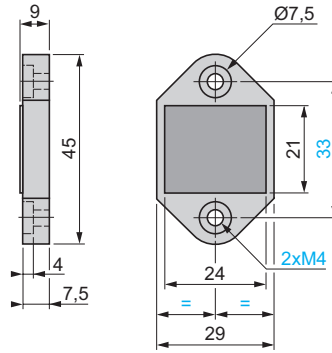
Accessories

Reflectors

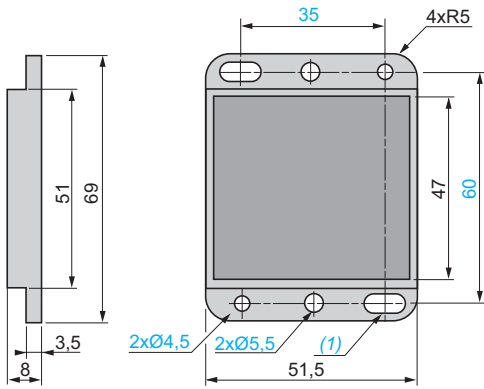
XUZC39



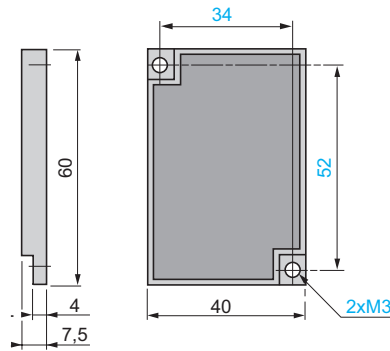
XUZC24



XUZC50

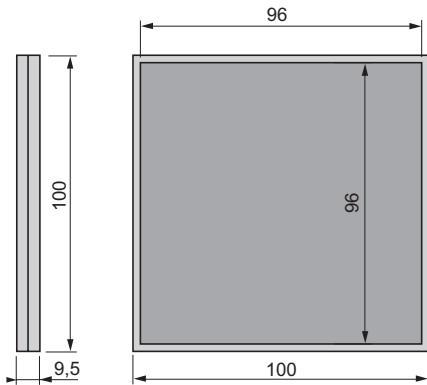


XUZC60S11



(1) 2 elongated holes Ø 4.5 x 8

XUZC100



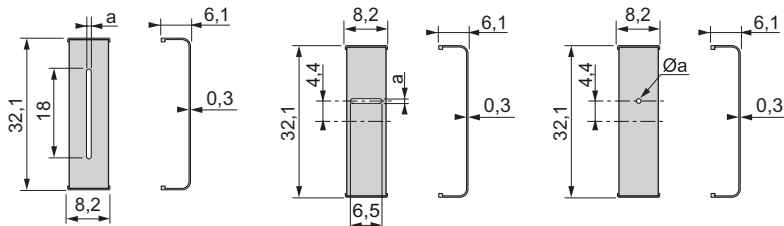
Diaphragms

XUZDVM●●

XUZDHM●●

XUZDRM●●

Reference a (mm)

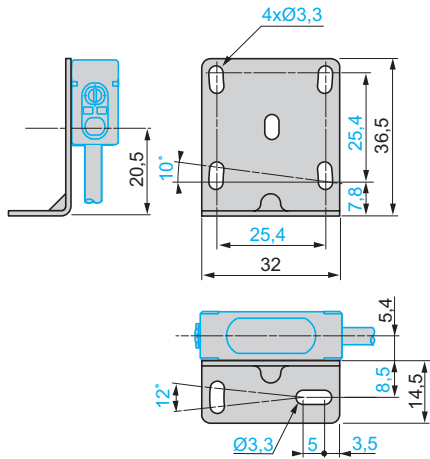


| | |
|----------|-------|
| XUZDVM05 | 0.5 |
| XUZDVM10 | 1 |
| XUZDVM20 | 2 |
| XUZDHM05 | 0.5 |
| XUZDHM10 | 1 |
| XUZDHM20 | 2 |
| XUZDRM05 | Ø 0.5 |
| XUZDRM10 | Ø 1 |
| XUZDRM20 | Ø 2 |

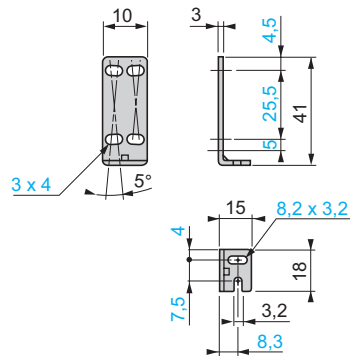
Accessories (continued)

Fixing brackets

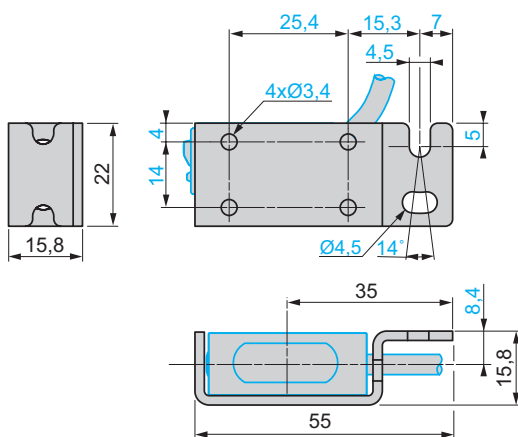
XUZASM04



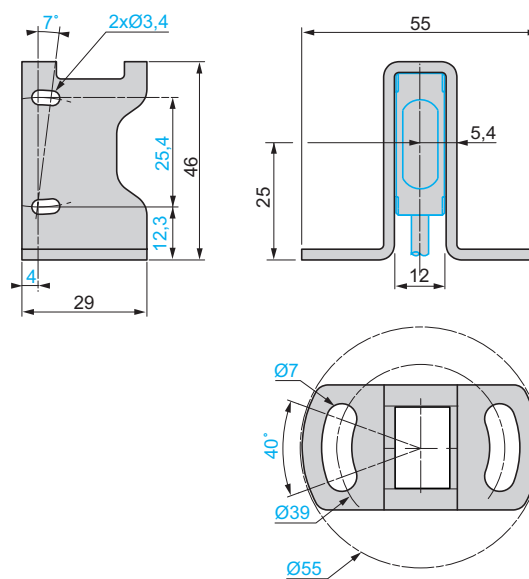
XUZA50



XUZASM02



XUZASM03



Air blower mounting block

XUZASM05

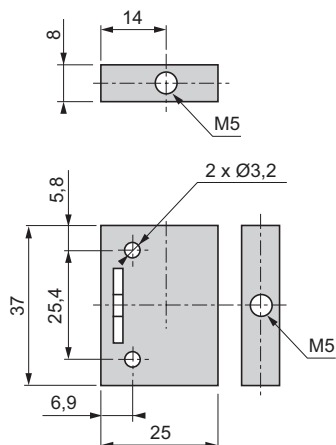
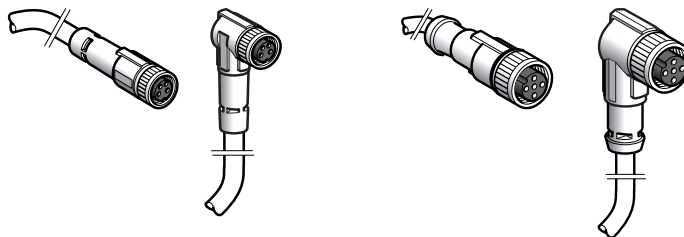


Photo-electric sensors

Cabling accessories for XUM miniature sensors

Pre-wired connectors M8 and M12

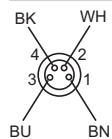
PVC cable



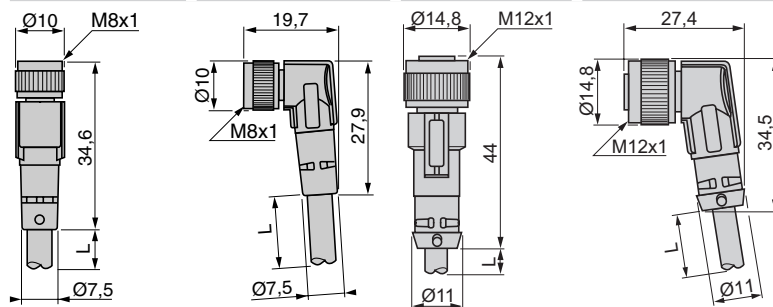
| | | | | | |
|-------------------|----------|--|---------------------|--|----------------------|
| Connector type | | Female, M8, straight | Female, M8, elbowed | Female, M12, straight | Female, M12, elbowed |
| Number of pins | | 4 | | | |
| References | | | | | |
| PVC cable | L = 2 m | XZCPV0941L2 | XZCPV1041L2 | XZCPV1141L2 | XZCPV1241L2 |
| | L = 5 m | XZCPV0941L5 | XZCPV1041L5 | XZCPV1141L5 | XZCPV1241L5 |
| | L = 10 m | XZCPV0941L10 | XZCPV1041L10 | XZCPV1141L10 | XZCPV1241L10 |
| Weight (kg) | | 0.090 (L = 2 m) 0.200 (L = 5 m) 0.380 (L = 10 m) | | 0.090 (L = 2 m) 0.200 (L = 5 m) 0.380 (L = 10 m) | |

| | | |
|-------------------------|---|--------------------|
| Characteristics | | |
| Certifications | cULus | |
| Connection type | Screw threaded (metal clamping ring) | |
| Cable material | PVC sheath, PP conductor insulation | |
| Degree of protection | IP 65, IP 67 | |
| Ambiant air temperature | Static cable | - 25...+ 80 °C |
| | Flexing cable | - 5...+ 80 °C |
| Cabling | Ø 4.6 mm cable, conductor c.s.a.: 4 x 0.25 mm ² | |
| Nominal voltage | ~ 60 V, --- 75 V | ~ 250 V, --- 300 V |
| Nominal current | 3 A | |
| Insulation resistance | > 10 ⁹ Ω | |
| Contact resistance | ≤ 5 m Ω | |

| | | | | |
|--------------------------|-------------------|-------------|-------------|-------------|
| Connections | Dimensions | | | |
| XZCPV0941L●, XZCPV1041L● | XZCPV0941L● | XZCPV1041L● | XZCPV1141L● | XZCPV1241L● |



BN: Brown
WH: White
BU: Blue
BK: Black



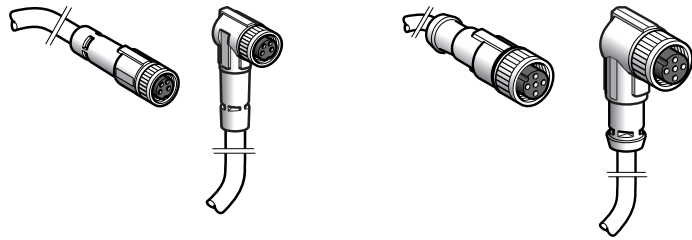
L = 2, 5 or 10 m

Photo-electric sensors

Cabling accessories for XUM miniature sensors

Pre-wired connectors M8 and M12

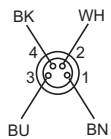
PUR cable



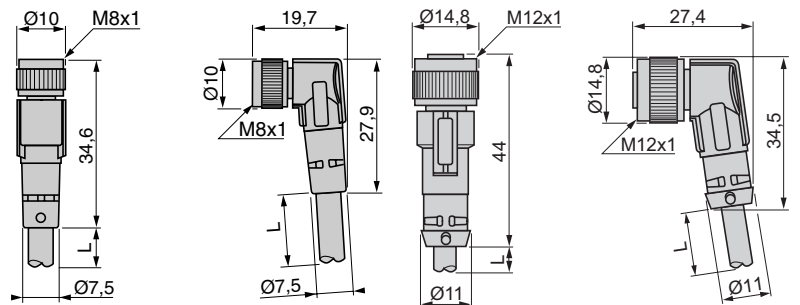
| | | | | | |
|----------------------|--|---------------------|--|----------------------|-------------|
| Connector type | Female, M8, straight | Female, M8, elbowed | Female, M12, straight | Female, M12, elbowed | |
| Number of conductors | 4 | | | | |
| References | | | | | |
| PUR cable | L = 2 m | XZCP0941L2 | XZCP1041L2 | XZCP1141L2 | XZCP1241L2 |
| | L = 5 m | XZCP0941L5 | XZCP1041L5 | XZCP1141L5 | XZCP1241L5 |
| | L = 10 m | XZCP0941L10 | XZCP1041L10 | XZCP1141L10 | XZCP1241L10 |
| Weight (kg) | 0.080 (L = 2 m) 0.180 (L = 5 m) 0.360 (L = 10 m) | | 0.090 (L = 2 m) 0.190 (L = 5 m) 0.370 (L = 10 m) | | |

| | | |
|-------------------------|---|------------------|
| Characteristics | | |
| Certifications | cULus | |
| Connection type | Screw threaded (metal clamping ring) | |
| Cable material | PUR sheath, PP conductor insulation | |
| Degree of protection | IP 65, IP 67, IP 69K | |
| Ambiant air temperature | Static cable | - 40...+ 80 °C |
| | Flexing cable | - 5...+ 80 °C |
| Cablings | Ø 5.2 mm cable, conductor c.s.a.: 4 x 0.34 mm ² | |
| Nominal voltage | ~ 60 V, ~ 75 V | ~ 250 V, ~ 300 V |
| Nominal current | 4 A | |
| Insulation resistance | > 10 ⁹ Ω | |
| Contact resistance | ≤ 5 m Ω | |

| | | | | |
|------------------------|-------------------|------------|------------|------------|
| Connections | Dimensions | | | |
| XZCP0941L●, XZCP1041L● | XZCP0941L● | XZCP1041L● | XZCP1141L● | XZCP1241L● |



BN: Brown
WH: White
BU: Blue
BK: Black



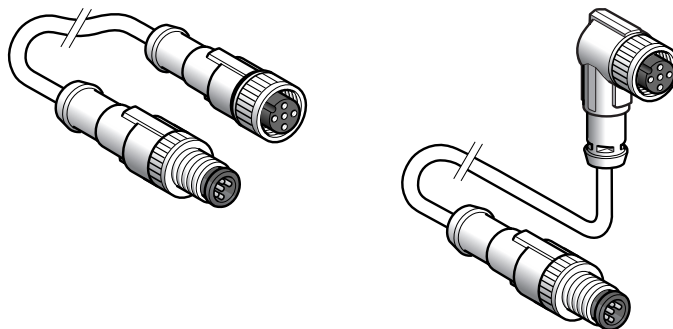
L = 2, 5 or 10 m

Photo-electric sensors

Cabling accessories for XUM miniature sensors

Jumper cables M12-M12

PVC cable



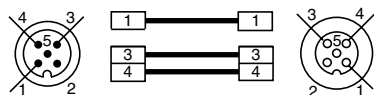
| | | | |
|-----------------------|------------------------------------|---------------------|----------------|
| Male connector type | M12, 3-pin, straight | | |
| Female connector type | M12, 3-pin, straight | M12, 3-pin, elbowed | |
| Number of conductors | 3 | | |
| References | | | |
| PVC cable | L = 1 m | XZCRV1511040A1 | XZCRV1512040A1 |
| | L = 2 m | XZCRV1511040A2 | XZCRV1512040A2 |
| | L = 5 m | - | - |
| Weight (kg) | 0.070 (L = 1 m) 0.100 (L = 2 m) | | |

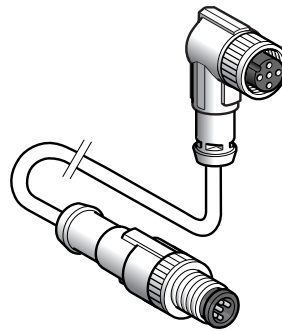
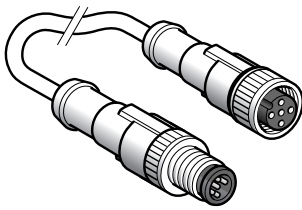
| | | |
|-------------------------|-------------------------------------|----------------|
| Characteristics | | |
| Certifications | cULus | |
| Connection type | Male and female: screw threaded | |
| Cable material | PVC sheath, PP conductor insulation | |
| Degree of protection | IP 65, IP 67 | |
| Ambient air temperature | Static cable | - 25... + 80°C |
| | Flexing cable | - 5... + 80°C |
| Conductor c.s.a. | 3 x 0.25 mm ² | |
| Cable diameter | 4.6 mm | |
| Nominal voltage | ~ 250 V, ~ 300 V | |
| Nominal current | 3 A | |
| Insulation resistance | > 10 ⁹ Ω | |
| Contact resistance | ≤ 5 mΩ | |

| | |
|--------------------------------|--------------------------------|
| Dimensions | |
| XZCRV1511040A1, XZCRV1511040A2 | XZCRV1512040A1, XZCRV1512040A2 |
| | |

L = 1 or 2 m

| | |
|--|--|
| Connections | |
| XZCRV1511040A1, XZCRV1511040A2, XZCRV1512040A1, XZCRV1512040A2 | |





M12, 4-pin, straight

M12, 4-pin, straight

M12, 4-pin, elbowed

4

XZCRV1511041C1

XZCRV1511041C2

XZCRV1511041C5

0.070 (L = 1 m)

0.110 (L = 2 m)

0.230 (L = 5 m)

XZCRV1512041C1

XZCRV1512041C2

XZCRV1512041C5

cULus

Male and female: screw threaded

PVC sheath, PP conductor insulation

IP 65, IP 67

- 25...+ 80°C

- 5...+ 80°C

4 x 0.25 mm²

4.6 mm

~ 250 V, ~ 300 V

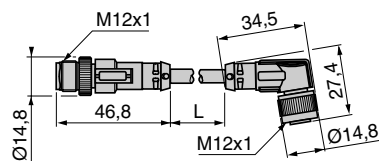
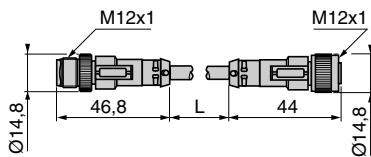
3 A

> 10⁹ Ω

≤ 5 m.Ω

XZCRV1511041C1, XZCRV1511041C2, XZCRV1511041C5

XZCRV1512041C1, XZCRV1512041C2, XZCRV1512041C5



L = 1, 2 or 5 m

XZCRV1511041C●, XZCRV1512041C●

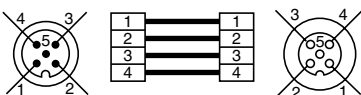
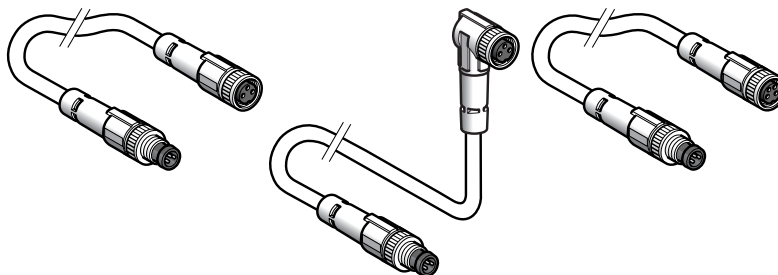


Photo-electric sensors

Cabling accessories for XUM miniature sensors

Jumper cables M8-M8 and M8-M12

PUR cable



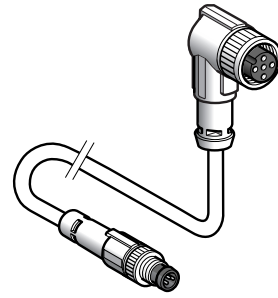
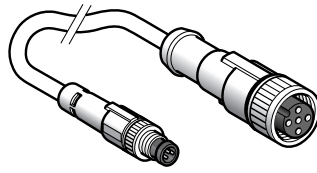
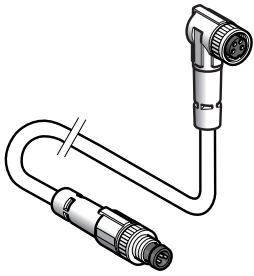
| | | | | |
|-----------------------|---------------------|--------------------|---------------------|---------------|
| Male connector type | M8, 3-pin, straight | | | |
| Female connector type | M8, 3-pin, straight | M8, 3-pin, elbowed | M8, 4-pin, straight | |
| Number of conductors | 3 | 3 | 3 | |
| References | | | | |
| PUR cable | L = 1 m | XZCR2705037R1 | XZCR2706037R1 | XZCR2709037S1 |
| | L = 2 m | XZCR2705037R2 | XZCR2706037R2 | XZCR2709037S2 |
| Weight (kg) | L = 1 m | 0.065 | | |
| | L = 2 m | 0.090 | | |

| | |
|-------------------------|---|
| Characteristics | |
| Certifications | cULus |
| Connection type | Male: screw threaded and clip. Female: screw threaded. Metal clamping ring. |
| Cable material | PUR sheath, PP conductor insulation |
| Degree of protection | IP 65, IP 67, IP 69K |
| Ambient air temperature | Static cable: - 35...+ 90°C Flexing cable: - 5...+ 90°C |
| Conductor c.s.a. | 3 x 0.34 mm ² |
| Cable diameter | 5.2 mm |
| Nominal voltage | ~ 60 V, ~ 45 V |
| Nominal current | 4 A |
| Insulation resistance | > 10 ⁹ Ω |
| Contact resistance | ≤ 5 m Ω |

| | | |
|------------------------------|------------------------------|------------------------------|
| Dimensions | | |
| XZCR2705037R1, XZCR2705037R2 | XZCR2706037R1, XZCR2706037R2 | XZCR2709037S1, XZCR2709037S2 |
| | | |

L = 1 or 2 m

| | | |
|------------------------------|------------------------------|------------------------------|
| Connections | | |
| XZCR2705037R1, XZCR2705037R2 | XZCR2706037R1, XZCR2706037R2 | XZCR2709037S1, XZCR2709037S2 |
| | | |



M8, 3-pin, straight

M8, 4-pin, elbowed

M12, 5-pin, straight

M12, 5-pin, elbowed

3

3

3

XZCR2710037S1

XZCR2711037T1

XZCR2712037T1

XZCR2710037S2

XZCR2711037T2

XZCR2712037T2

0.065

0.065

0.065

0.090

0.093

0.093

cULus

Male: screw threaded and clip. Female: screw threaded. Metal clamping ring

PUR sheath, PP conductor insulation

IP 65, IP 67, IP 69K

- 35...+ 90°C

- 5...+ 90°C

3 x 0.34 mm²

5.2 mm

~ 60 V, ~ 45 V

4 A

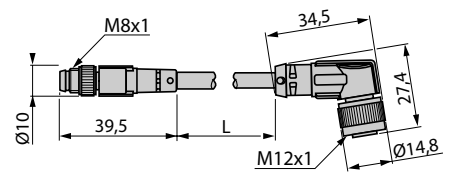
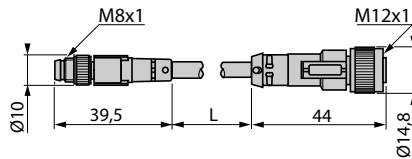
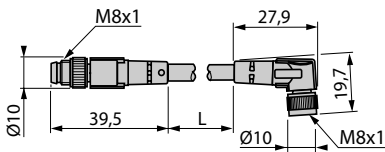
> 10⁹ Ω

≤ 5 m Ω

XZCR2710037S1, XZCR2710037S2

XZCR2711037T1, XZCR2711037T2

XZCR2712037T1, XZCR2712037T2

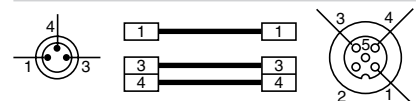
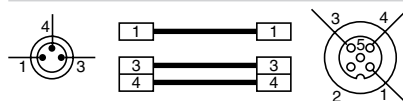


L = 1 or 2 m

XZCR2710037S1, XZCR2710037S2

XZCR2711037T1, XZCR2711037T2

XZCR2712037T1, XZCR2712037T2



| | | |
|--------------|----|-------------------|
| X | | |
| XUM2AKXBL2T | 2 | XZCPV0941L5 16 |
| XUM2AKXBM8T | 2 | XZCPV1041L10 16 |
| XUM2ANXBL2 | 2 | XZCPV1041L2 16 |
| XUM2ANXBL2R | 2 | XZCPV1041L5 16 |
| XUM2ANXBM8 | 2 | XZCPV1141L10 16 |
| XUM2ANXBM8R | 2 | XZCPV1141L2 16 |
| XUM2APXBL2 | 2 | XZCPV1141L5 16 |
| XUM2APXBL2R | 2 | XZCPV1241L10 16 |
| XUM2APXBM8 | 2 | XZCPV1241L2 16 |
| XUM2APXBM8R | 2 | XZCPV1241L5 16 |
| XUM4ANXBL2 | 4 | XZCR2705037R1 20 |
| XUM4ANXBM8 | 4 | XZCR2705037R2 20 |
| XUM4APXBL2 | 4 | XZCR2706037R1 20 |
| XUM4APXBM8 | 4 | XZCR2706037R2 20 |
| XUM5ANXBL2 | 4 | XZCR2709037S1 20 |
| XUM5ANXBM8 | 4 | XZCR2709037S2 20 |
| XUM5APXBL2 | 4 | XZCR2710037S1 21 |
| XUM5APXBM8 | 4 | XZCR2710037S2 21 |
| XUM6ANXBL2 | 4 | XZCR2711037T1 21 |
| XUM6ANXBM8 | 4 | XZCR2711037T2 21 |
| XUM6APXBL2 | 4 | XZCR2712037T1 21 |
| XUM6APXBM8 | 4 | XZCR2712037T2 21 |
| XUM8ANXBL2 | 3 | XZCRV1511040A1 18 |
| XUM8ANXBM8 | 3 | XZCRV1511040A2 18 |
| XUM8APXBL2 | 3 | XZCRV1511041C1 19 |
| XUM8APXBM8 | 3 | XZCRV1511041C2 19 |
| XUM9ANXBL2 | 3 | XZCRV1511041C5 19 |
| XUM9ANXBM8 | 3 | XZCRV1512040A1 18 |
| XUM9APXBL2 | 3 | XZCRV1512040A2 18 |
| XUM9APXBM8 | 3 | XZCRV1512041C1 19 |
| XUZA50 | 5 | XZCRV1512041C2 19 |
| XUZASM02 | 5 | XZCRV1512041C5 19 |
| XUZASM03 | 5 | |
| XUZASM04 | 5 | |
| XUZASM05 | 5 | |
| XUZC100 | 3 | |
| XUZC24 | 3 | |
| XUZC39 | 3 | |
| XUZC50 | 3 | |
| XUZC60S11 | 3 | |
| XUZDHM05 | 2 | |
| XUZDHM10 | 2 | |
| XUZDHM20 | 2 | |
| XUZDRM05 | 2 | |
| XUZDRM10 | 2 | |
| XUZDRM20 | 2 | |
| XUZDVM05 | 2 | |
| XUZDVM10 | 2 | |
| XUZDVM20 | 2 | |
| XZCP0941L10 | 17 | |
| XZCP0941L2 | 17 | |
| XZCP0941L5 | 17 | |
| XZCP1041L10 | 17 | |
| XZCP1041L2 | 17 | |
| XZCP1041L5 | 17 | |
| XZCP1141L10 | 17 | |
| XZCP1141L2 | 17 | |
| XZCP1141L5 | 17 | |
| XZCP1241L10 | 17 | |
| XZCP1241L2 | 17 | |
| XZCP1241L5 | 17 | |
| XZCPV0941L10 | 16 | |
| XZCPV0941L2 | 16 | |

www.tesensors.com

The information provided in this catalogue contains description of products sold by TMSS France, its subsidiaries and other affiliated companies ("Offer") with technical specifications and technical characteristics of the performance of the corresponding Offer.

The content of this document is subject to revision at any time without notice due to continued progress in methodology, design and manufacturing.

To the extent permitted by applicable law, no responsibility or liability is assumed by TMSS France, its subsidiaries and other affiliated companies for any type of damage arising out of or in connexion with (a) informational content of this catalogue not conforming with or exceeding the technical specifications, or (b) any error contained in this catalogue, or (c) any use, decision, act or omission made or taken on the basis of or in reliance on any information contained or referred to in this catalogue.

NEITHER TMSS FRANCE, ITS SUBSIDIARIES, NOR ITS OTHER AFFILIATES, AS THE CASE MAYBE, MAKE NO WARRANTY OR REPRESENTATION OF ANY KIND, WHETHER EXPRESS OR IMPLIED, AS TO WHETHER THIS CATALOGUE OR ANY INFORMATION CONTAINED THEREIN SUCH AS PRODUCTS WILL MEET REQUIREMENTS, EXPECTATIONS OR PURPOSE OF ANY PERSON MAKING USE THEREOF.

Telemecanique™ Sensors is a trademark of Schneider Electric Industries SAS used under license by TMSS France. Any other brands or trademarks referred to in this catalogue are property of TMSS France or, as the case may be, of its subsidiaries or other affiliated companies. All other brands are trademarks of their respective owners. This catalogue and its content are protected under applicable copyright laws and provided for informative use only.

No part of this catalogue may be reproduced or transmitted in any form or by any means (electronic, mechanical, photocopying, recording, or otherwise), for any purpose, without the prior written permission of TMSS France. Copyright, intellectual, and all other proprietary rights in the content of this catalogue (including but not limited to audio, video, text, and photographs) rests with TMSS France, its subsidiaries, and other affiliated companies or its licensors. All rights in such content not expressly granted herein are reserved. No rights of any kind are licensed or assigned or shall otherwise pass to persons accessing this information.

As standards, specifications and design change from time to time, please ask for confirmation of the information given in this publication.

©2023, TMSS France, All Rights Reserved.

TMSS France
35 rue Joseph Monier 92500
Rueil-Malmaison – France

TES ELECTRIC US, LLC
70 Mechanic Street
Foxboro, MA 02035 - United States of America

September 2023 - V1.0

TESEBRO000045EN