



LED LIGHTING SYSTEMS FOR  
INDUSTRY AND MACHINE TOOLS

---



## I Index

LED lighting systems  
for industry and machine tools

### History\_

The right light since 1985	02
Light, LED and Labour	04
We shed light on ideas	06
New light for machinery. Custom made	08

### Automatic machine tools\_ 10

TRACK ALPHA	12
HERIO NOVA	14
ANTARIO	16
SIDAL	18
T-CITY	20
TOOL P	22
EXLIGHT	24

### Manual machine tools\_ 26

T-LED	28
TOOL BF	30
TOOL BC	32
TOOL BL	34

### Workbenches and industrial lighting\_ 36

JOB PL	38
JOB BR	40

### Agri-food machinery\_ 42

TABIT	44
-------	----

### Quality control and inspections\_ 46

BF1TMA	48
BIG1	50
BIG2	52

### Accessories\_ 54

Fastenings	55
Cables and connectors	57
Power supply units	59

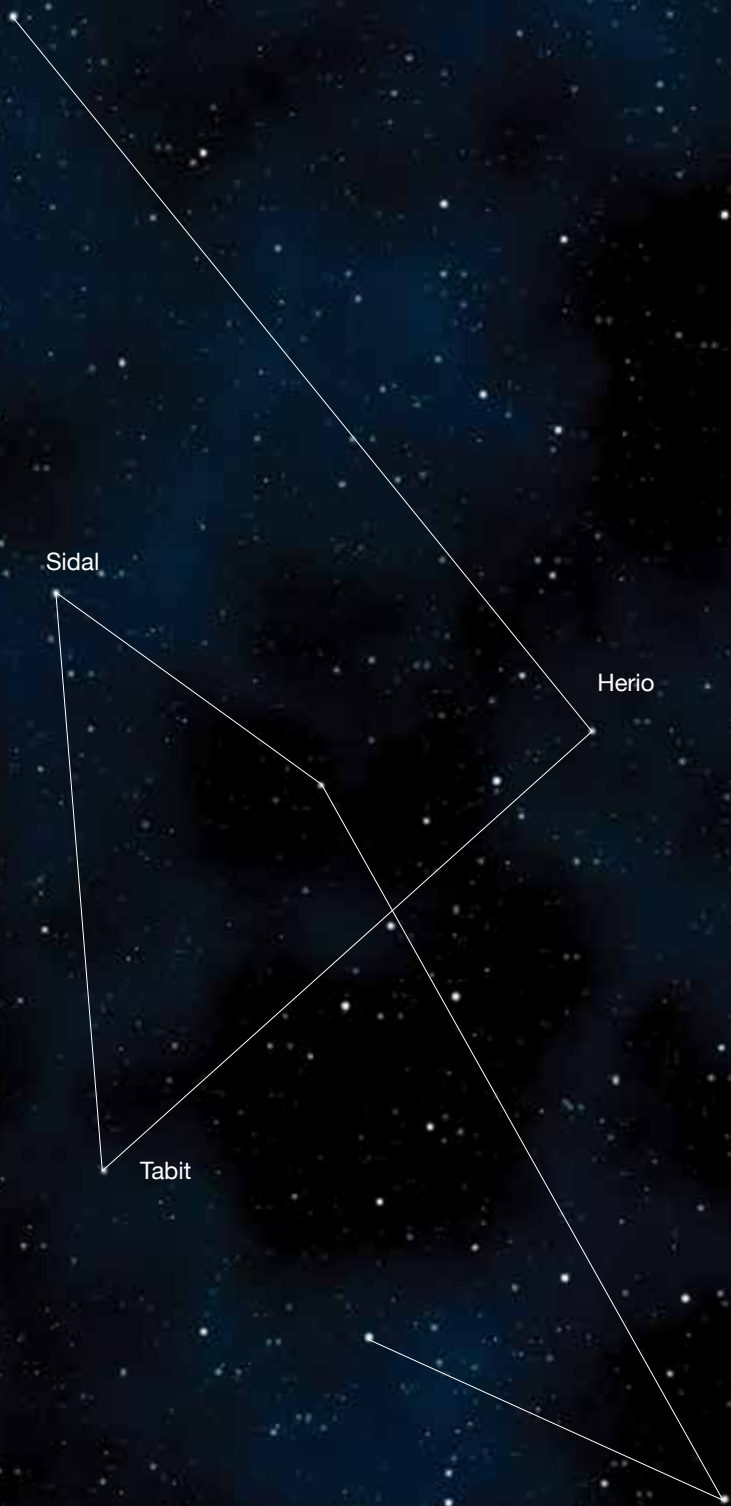
# The right light since 1985.

## Guided by the stars.

C.C.E.A. was founded in 1985 with the goal of providing proper lighting for the workplace.

In fact, C.C.E.A. was the brainchild of its founder, Bruno Celsan. In the early 1980s, he saw that workplace lighting was just limited to general lighting and felt that it was not suitable to provide efficient working conditions. Indeed, operators' eyes would be subject to prolonged stress throughout the day, causing burning sensations, watering or headaches and would consequently impair their ability to perform their jobs. This brainwave led him to design the first lamp which illuminates the exact spot where the work is being performed.

This revolutionary idea became our guiding star, our benchmark for creating effective lighting for every piece of machinery and workplace, in order to optimise the work process and protect personal health, while continuously operating with respect for the environment and using the highest quality materials. We see the possibility in light of optimising every professional situation, from major industrial factories to machinery for the smallest production.



01\_Bruno Celsan designed the first lighting system specifically for sewing machines.

02\_The first halogen lamp designed by Bruno Celsan.





## Light, LED and Labour

The workplace is not just a place where work is performed; it is also the place where we spend a large part of our day and a social gathering place. Working under optimum lighting conditions will increase workers' quality of life.

C.C.E.A. lamps are made in full compliance with standard EN 12464-1 on lighting in the workplace, featuring an ergonomic design and a resistant structure suitable for industrial use. In line with this concept, C.C.E.A. was one of the first companies in the world to use LED technology ever since it was introduced to the market,

which has helped enhance the quality of our products. In fact, monochrome, flicker-free LED lighting allows the operator to work under natural, constant light for many years, thereby avoiding visual impairments and reducing energy consumption by 50%.

We believe that light is a business tool, a means of improving the performance of every worker with innovative, environmentally friendly systems.



## We shed light on ideas

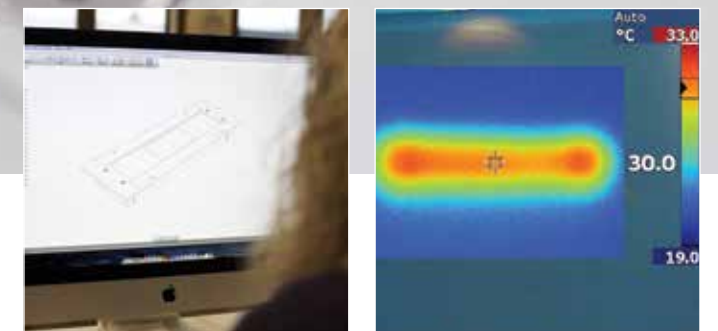
Thirty years of history and experience are the hallmarks of our company's quality. We experienced the lighting evolution and played a part in the LED revolution to produce continuous improvements in order to meet the requirements of anyone looking for technology and who believes in a forward-thinking C.C.E.A.

Every one of our products was born out of a need. Our engineers design lamps that perfectly fit every working environment and situation, taking care of every detail and running laboratory tests. With 3000 m<sup>2</sup> of laboratory and production facilities, C.C.E.A. boasts a wide selection of excellent quality items thanks to our highly qualified team in the field of lighting. All our products undergo green light quality control to check their degree of protection and resistance to agents specifically for that product's application. Our quality standards also come from the raw materials that are checked as they enter the warehouse, where they are tested and verified to ensure perfect conformity and functionality. Our range of products does not only cover lamps, but also services such as lighting consultancy, customised design and training.



01\_Raw material quality control.  
02\_Production tests for gasket seals.





## New light for machinery. | Custom made.

C.C.E.A. is also the perfect partner for designing customised lighting for industry and machinery thanks to our extensive know-how and thirty years of experience, which have now brought 60% of our production to cater for personalised models.

From rendering to prototypes, with the aid of photometric curves and electrical or resistance tests, C.C.E.A. develops lamps that are not just accessories but rather a complete part of the machine.

Even our fastenings are designed accordingly: to merge light and metal so they are seamlessly combined in one single large structure.

## Automatic machine tools

The complexity and continuous innovation in the field of control centres and EDM make it essential to have advanced, high-performance lighting as the perfect complement when working under the toughest conditions. We have taken all features of machinery into consideration to offer a technologically cutting-edge lighting solution. Resistant to the highest mechanical stress, C.C.E.A. lights can even be used under extreme working conditions. The stainless steel fastenings and Viton or NBR O-rings ensure that all of the equipment is perfectly sealed, which is tested in every product according to standard EN-60529.

These lamps are fitted with LED power sources with an average life of over 60,000 hours. No maintenance is required and they can be connected directly to a 24Vdc without any need for additional components. Furthermore, thanks to their low surface temperature, any coolants or lubricants will not leave burnt residues on the lamp.



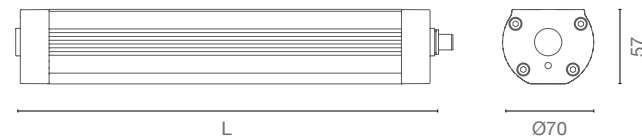
# TRACK ALPHA

The future of technical lighting



The TRACK series has been given a new design. TRACK ALPHA has thus been born, to offer an increasingly high-performance lighting solution for CNC and EDM machines that provides total protection against dust and shavings, and many oils and coolants. It can be directly connected to 24Vdc or 230V with no external components. Furthermore, with its dimensions and power, it can quickly and easily replace traditional fluorescent tubes, optimising any retrofitting operations. Rear and side fastenings available, up to 100° adjustment.

- IP67 degree of protection and Viton O-rings that fully protect the lamp against dust, and many oils and coolants
- Direct 24Vdc or 230V connection for easy replacements of any outdated or obsolete equipment
- M12 connector for fast, safe connection
- 7 versions available with different lengths for universal use to meet any needs
- Rear and side fastenings available



	L
TRACKALPHA.2.50	321
TRACKALPHA.3.50	441
TRACKALPHA.5.50	681
TRACKALPHA.7.50	921
TRACKALPHA.8.50	1041
TRACKALPHA.10.50	1281

All values in mm.



## TECHNICAL FEATURES

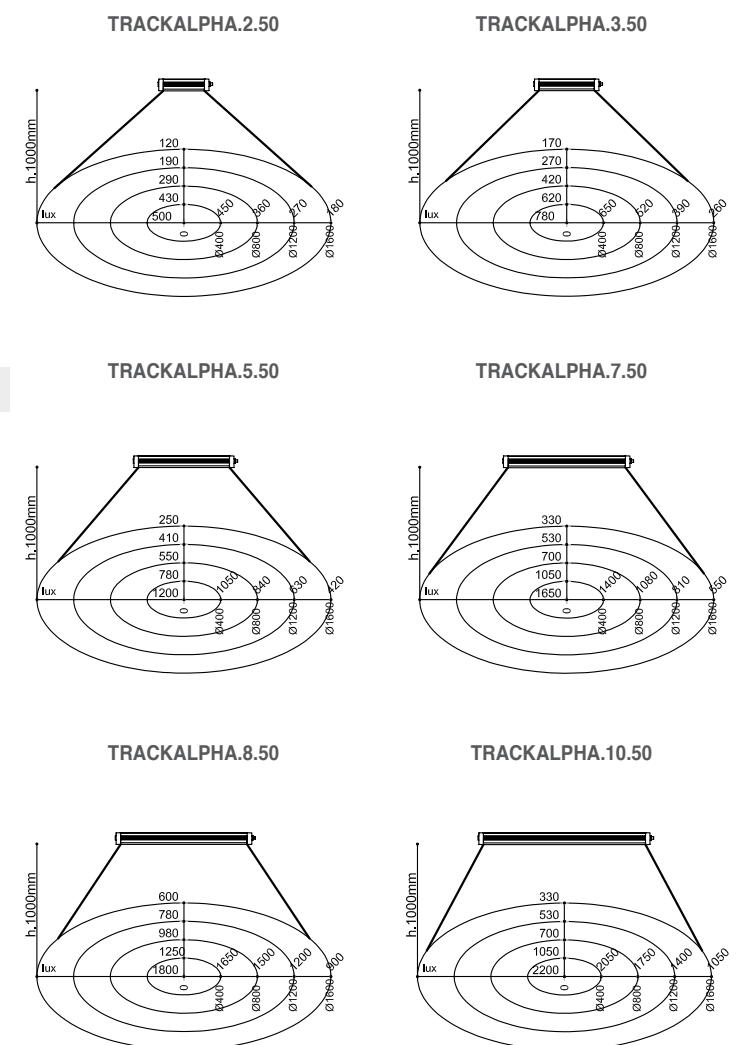
	TRACKALPHA.2.50	TRACKALPHA.3.50	TRACKALPHA.5.50	TRACKALPHA.7.50	TRACKALPHA.8.50	TRACKALPHA.10.50
<b>Power supply</b>	24 Vdc	230 V	24 Vdc or 230 V	24 Vdc	230 V	24 Vdc
<b>Power</b>	13 W	19,5 W	34 W	47 W	53,5 W	68 W
<b>Current</b>	0,6 A	0,9 A	1,5 A	2,1 A	2,4 A	3,0 A
<b>Degree of protection</b>	IP67	IP67	IP67	IP67	IP67	IP67
<b>LED type</b>	mini Power LED	mini Power LED	mini Power LED	mini Power LED	mini Power LED	mini Power LED
<b>LED lifespan</b>	50.000 h	50.000 h	50.000 h	50.000 h	50.000 h	50.000 h
<b>Lumen LED</b>	1400 lum - 120°	2100 lum - 120°	3500 lum - 120°	4900 lum - 120°	5600 lum - 120°	7000 lum - 120°
<b>Light color</b>	5000 K - CRI75	5000 K - CRI75	5000 K - CRI75	5000 K - CRI75	5000 K - CRI75	5000 K - CRI75
<b>Structure</b>	anodized aluminium	anodized aluminium	anodized aluminium	anodized aluminium	anodized aluminium	anodized aluminium
<b>Glass</b>	5 mm tempered glass	5 mm tempered glass	5 mm tempered glass	5 mm tempered glass	5 mm tempered glass	5 mm tempered glass
<b>Diffuser</b>	internal glazed diffuser	internal glazed diffuser	internal glazed diffuser	internal glazed diffuser	internal glazed diffuser	internal glazed diffuser
<b>Fastenings</b>	ALPHA.CLIP (rear fastening) ALPHA.CLIP+ALPHA.ADP/ ALPHA.FX01 (side fastening)	ALPHA.CLIP (rear fastening) ALPHA.CLIP+ALPHA.ADP/ ALPHA.FX01 (side fastening)	ALPHA.CLIP (rear fastening) ALPHA.CLIP+ALPHA.ADP/ ALPHA.FX01 (side fastening)	ALPHA.CLIP (rear fastening) ALPHA.CLIP+ALPHA.ADP/ ALPHA.FX01 (side fastening)	ALPHA.CLIP (rear fastening) ALPHA.CLIP+ALPHA.ADP/ ALPHA.FX01 (side fastening)	ALPHA.CLIP (rear fastening) ALPHA.CLIP+ALPHA.ADP/ ALPHA.FX01 (side fastening)
<b>Connection</b>	M12 conn. 4P (M)	M12 conn. 4P (M)	M12 conn. 4P (M)	M12 conn. 4P (M)	M12 conn. 4P (M)	M12 conn. 4P (M)



## ORDER CODES

TRACKALPHA.2.50	13W - 24Vdc
TRACKALPHA.3.50.230	19,5W - 230 V
TRACKALPHA.5.50	34W - 24Vdc
TRACKALPHA.5.50.230	34W - 230 V
TRACKALPHA.7.50	47W - 24Vdc
TRACKALPHA.8.50.230	53,5W - 230 V
TRACKALPHA.10.50	68W - 24Vdc

## LUMINANCE DIAGRAMS





# HERIO NOVA

The perfect combination between light and space



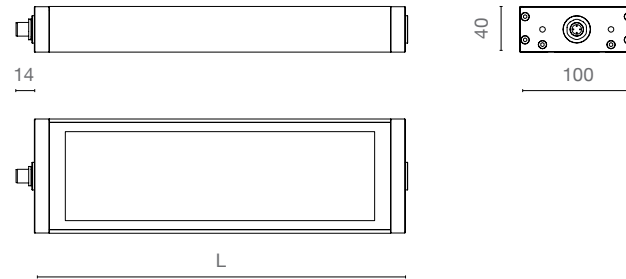
We improved the performance of our brightest series, with a light even more homogeneous and diffused for the large industrial machines.

HERIO NOVA includes 4 versions - 27W, 42W, 68W and 96W - and the light flow is generated by combining high-efficiency mini Power LED circuits and a prismatic cone diffuser, which enhances its anti-glare effect but still maintains a constant flow of light.

The I.D.S. system (Integrated Driver System) allows direct connection to 24 Vdc without additional components and the lamp is equipped with a M12 connector for a fast and easy connection.

Rear and side fastening available, for total adjustability of the lamp.

- Exceptionally powerful luminous flux (up to 9800 lumen)
- Rear and side fastening available
- High degree of protection IP67
- M12 connector for a fast and easy connection
- I.D.S. technology for direct 24Vdc connection
- Protection against reverse polarity



	L
HERIONOVA.27.50	329
HERIONOVA.42.50	458
HERIONOVA.68.50	716
HERIONOVA.96.50	974

All values in mm.



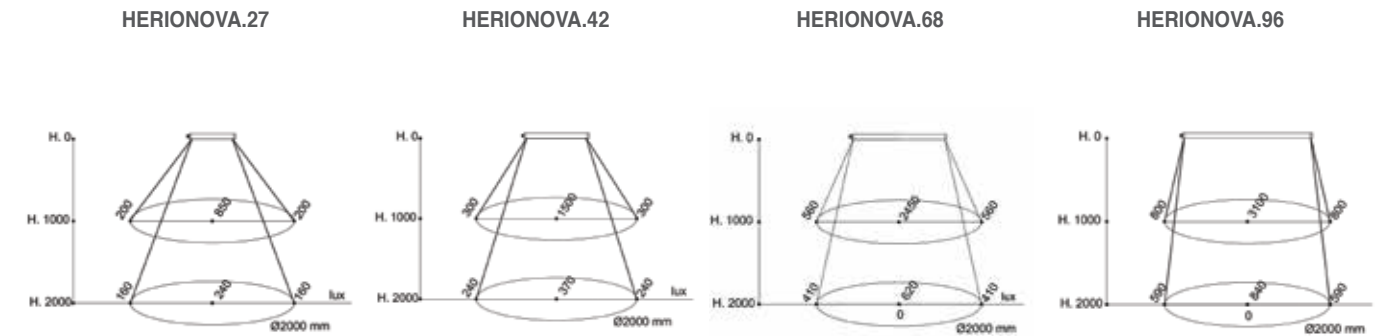
## CARATTERISTICHE TECNICHE

	HERIONOVA.27	HERIONOVA.42	HERIONOVA.68	HERIONOVA.96
<b>Power supply</b>	24 Vdc	24 Vdc	24 Vdc	24 Vdc
<b>Power</b>	27 W	42 W	68 W	96 W
<b>Current</b>	1,2 A	1,8 A	2,9 A	4 A
<b>Degree of protection</b>	IP67	IP67	IP67	IP67
<b>LED type</b>	mini Power LED	mini Power LED	mini Power LED	mini Power LED
<b>LED lifespan</b>	50.000 h	50.000 h	50.000 h	50.000 h
<b>Lumen LED</b>	2800 lum - 120°	4200 lum - 120°	7000 lum - 120°	9800 lum - 120°
<b>Light color</b>	5000 K - CRI75	5000 K - CRI75	5000 K - CRI75	5000 K - CRI75
<b>Structure</b>	anodized aluminium	anodized aluminium	anodized aluminium	anodized aluminium
<b>Glass</b>	4 mm transparent and tempered glass	4 mm transparent and tempered glass	4 mm transparent and tempered glass	4 mm transparent and tempered glass
<b>Diffuser</b>	PMMA prismatic diffuser	PMMA prismatic diffuser	PMMA prismatic diffuser	PMMA prismatic diffuser
<b>Fastenings</b>	side plates HERIONOVA.FX01 rear fastening HERIONOVA.FX02	side plates HERIONOVA.FX01 rear fastening HERIONOVA.FX02	side plates HERIONOVA.FX01 rear fastening HERIONOVA.FX02	side plates HERIONOVA.FX01 rear fastening HERIONOVA.FX02
<b>Connection</b>	Conn. M12 4P (M)	Conn. M12 4P (M)	Conn. M12 4P (M)	Conn. M12 4P (M)

## ORDER CODES

HERIONOVA.27.50	27W -24 Vdc	HERIONOVA.68.50	68W -24 Vdc
HERIONOVA.42.50	42W -24 Vdc	HERIONOVA.96.50	96W -24 Vdc

## LUMINANCE DIAGRAMS



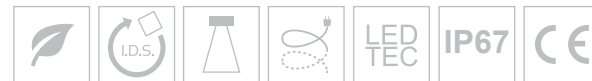
# ANTARIO

Brighter, sizeless

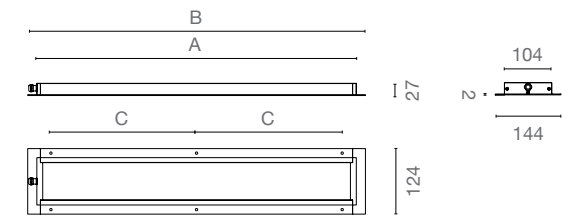
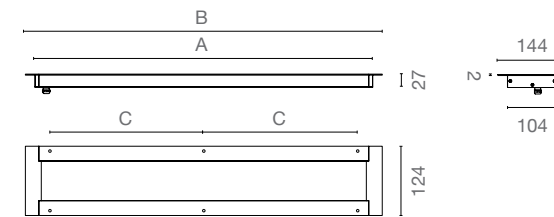


We hid the lamp, keeping the same light flow. The ANTARIO series, with its extra-slim structure, is the ideal lighting system for large machines that need to keep internal space clutter-free. Its powerful beam (up to 9800 lumen) is generated by combining high-efficiency mini Power LED circuits and a prismatic cone diffuser. Its light colour Daylight CRI75 has been specially designed to provide a natural light that does not strain the eyes or distort colours. Available in 4 sizes, built-in or external version, it allows direct connection in 24 Vdc without additional components.

- Exceptionally powerful luminous flux up to 9800 lumen
- Minimum sizes
- High degree of protection IP67
- Available with a side cable or M12 connector
- I.D.S. technology for direct 24Vdc connection
- Protection against reverse polarity



Automatic machine tools



	A	B	C	holes n°
ANTARIO27.I	315	355	270	4
ANTARIO42.I	444	484	200	6
ANTARIO68.I	702	742	320	6
ANTARIO96.I	960	1000	305	8

All values in mm.

	A	B	C	holes n°
ANTARIO27.E	315	355	270	4
ANTARIO42.E	444	484	200	6
ANTARIO68.E	702	742	320	6
ANTARIO96.E	960	1000	305	8

## TECHNICAL FEATURES

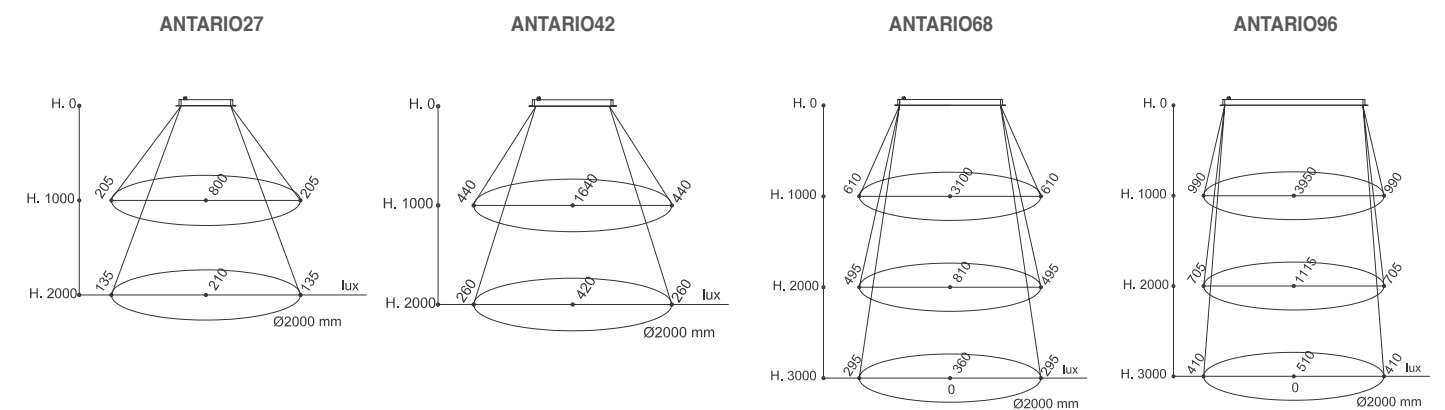
	ANTARIO27	ANTARIO42	ANTARIO68	ANTARIO96
<b>Power supply</b>	24 Vdc	24 Vdc	24 Vdc	24 Vdc
<b>Power</b>	27 W	42 W	68 W	96 W
<b>Current</b>	1,2 A	1,8 A	2,9 A	4 A
<b>Degree of protection</b>	IP67	IP67	IP67	IP67
<b>LED type</b>	mini Power LED	mini Power LED	mini Power LED	mini Power LED
<b>LED lifespan</b>	50.000 h	50.000 h	50.000 h	50.000 h
<b>Lumen LED</b>	2800 lum - 120°	4200 lum - 120°	7000 lum - 120°	9800 lum - 120°
<b>Light color</b>	6500 K - CRI75	6500 K - CRI75	6500 K - CRI75	6500 K - CRI75
<b>Structure</b>	painted aluminium	painted aluminium	painted aluminium	painted aluminium
<b>Glass</b>	4 mm transparent and tempered glass	4 mm transparent and tempered glass	4 mm transparent and tempered glass	4 mm transparent and tempered glass
<b>Diffuser</b>	PMMA prismatic diffuser	PMMA prismatic diffuser	PMMA prismatic diffuser	PMMA prismatic diffuser
<b>Fastenings</b>	M5 screws	M5 screws	M5 screws	M5 screws
<b>Cable</b>	neoprene	neoprene	neoprene	neoprene

## ORDER CODES

ANTARIO27.X	27W cable 1,5m	ANTARIO42.X	42W cable 1,5m	ANTARIO68.X	68W cable 1,5m	ANTARIO96.X	96W cable 1,5m
ANTARIO27.X.C3	27W cable 3m	ANTARIO42.X.C3	42W cable 3m	ANTARIO68.X.C3	68W cable 3m	ANTARIO96.X.C3	96W cable 3m
ANTARIO27.X.C5	27W cable 5m	ANTARIO42.X.C5	42W cable 5m	ANTARIO68.X.C5	68W cable 3m	ANTARIO96.X.C5	96W cable 5m
ANTARIO27.X.C10	27W cable 10m	ANTARIO42.X.C10	42W cable 10m	ANTARIO68.X.C10	68W cable 10m	ANTARIO96.X.C10	96W cable 10m
ANTARIO27.E.M12	27W M12	ANTARIO42.E.M12	42W M12	ANTARIO68.E.M12	68W M12	ANTARIO96.E.M12	96W M12

X = Please specify which version: E external or I built-in (M12 only available in external versions)

## LUMINANCE DIAGRAMS





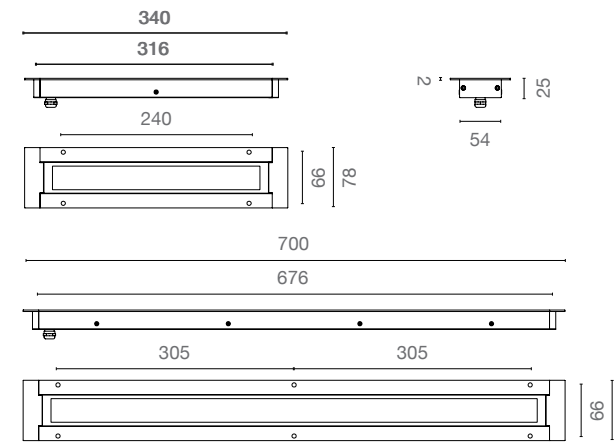
# SIDAL

Light to the nth degree

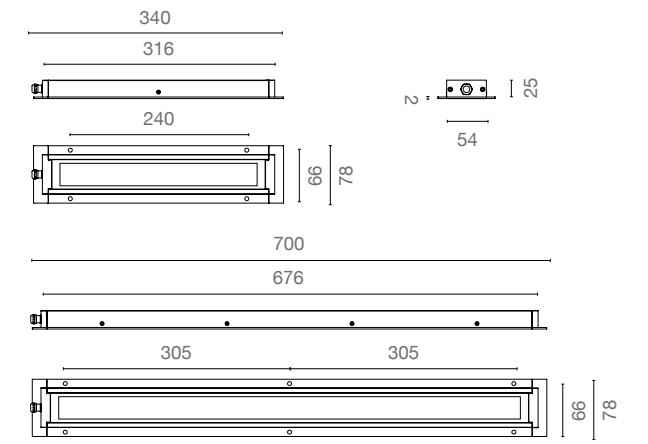


The SIDAL series is the perfect solution for use in small spaces inside CNC or EDM machines. Its exceptional brightness is generated by high-efficiency mini Power LED circuits which provide a uniform 5000 K light. Its extra slim structure with a high degree of protection (IP67) is resistant to the highest mechanical stress and does not cause any obstructions inside the machine. Available in 13W and 34W versions, either built-in or as an external attachment.

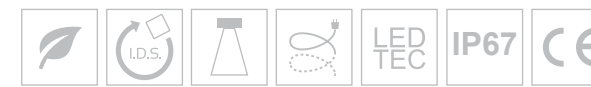
- Extra slim structure design
- I.D.S. technology for direct 24Vdc connection
- Available with a side cable or M12 connector
- High degree of protection IP67



**SIDAL I** - built-in version  
All values in mm.



**SIDAL E** - external version  
All values in mm.



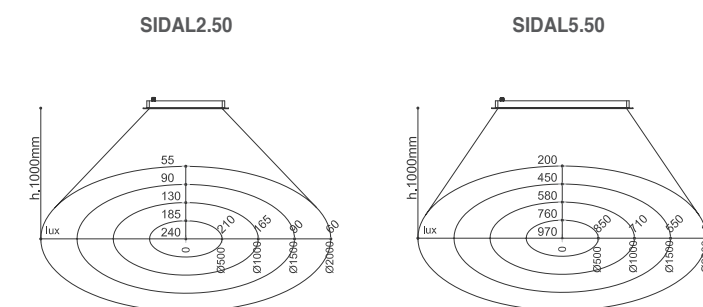
## TECHNICAL FEATURES

	SIDAL2.50	SIDAL5.50
Power supply	24 Vdc	24 Vdc
Power	13 W	34 W
Current	0,6 A	1,5 A
Degree of protection	IP67	IP67
LED type	mini Power LED	mini Power LED
LED lifespan	50.000 h	50.000 h
Lumen LED	1400 lum - 120°	3500 lum 120°
Light color	5000 K - CRI75	5000 K - CRI75
Structure	anodized aluminium	anodized aluminium
Glass	frontal 4 mm tempered glass	frontal 4 mm tempered glass
Fastenings	M5 screws	M5 screws
Cable	neoprene	neoprene

## ORDER CODES

SIDAL.2.50.I	13W - cable 1,5 m	SIDAL.5.50.E.M12	34W - M12	SIDAL.2.50.I.C5	13W - cable 5 m	SIDAL.5.50.I.C10	34W - cable 10 m
SIDAL.5.50.I	34W - cable 1,5 m	SIDAL.2.50.I.C3	13W - cable 3 m	SIDAL.5.50.I.C5	34W - cable 5 m	SIDAL.2.50.E.C10	13W - cable 10 m
SIDAL.2.50.E	13W - cable 1,5 m	SIDAL.5.50.I.C3	34W - cable 3 m	SIDAL.2.50.E.C5	13W - cable 5 m	SIDAL.5.50.E.C10	34W - cable 10 m
SIDAL.5.50.E	34W - cable 1,5 m	SIDAL.2.50.E.C3	13W - cable 3 m	SIDAL.5.50.E.C5	34W - cable 5 m		
SIDAL.2.50.E.M12	13W - M12	SIDAL.5.50.E.C3	34W - cable 3 m	SIDAL.2.50.I.C10	13W - cable 10 m		

## LUMINANCE DIAGRAMS



# T-CITY

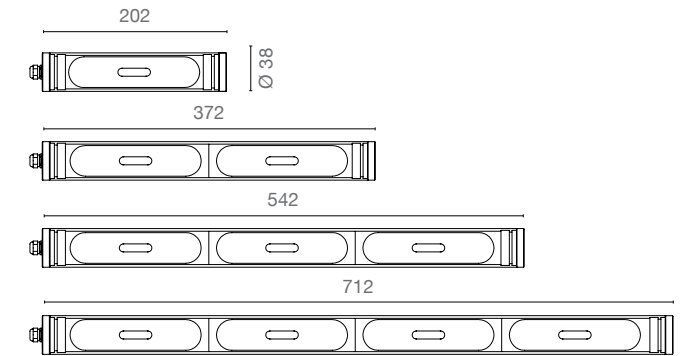
Waterproof protection for LED lighting



The T-CITY lighting system is the perfect combination between design and technology. It has a multi-chip LED light source which can generate a powerful luminous flux, enclosed within a completely waterproof structure featuring a borosilicate glass cover. The anodised aluminium side locks, complete with Viton O-rings, ensure that the lamp remains perfectly sealed against any liquids. The fastenings on the lamp allow the beam to be adjusted up to 90°.

- Waterproof structure IP68
- Resistant to many lubricants and coolants
- I.D.S. technology for direct 24Vdc connection
- Available with a side cable or M12 connector
- 4 lengths available

Automatic machine tools



All values in mm.



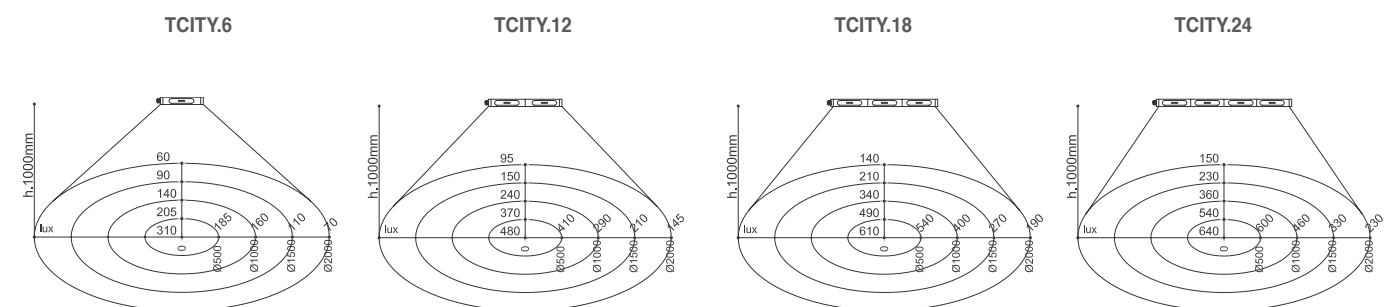
## TECHNICAL FEATURES

	TCITY.6	TCITY.12	TCITY.18	TCITY.24
Power supply	24 Vdc	24 Vdc	24 Vdc	24 Vdc
Power	6 W	12 W	18 W	24 W
Current	0,7 A	0,7 A	1,4 A	1,4 A
Degree of protection	IP68	IP68	IP68	IP68
LED type	1 LED Multichip	2 LED Multichip	3 LED Multichip	4 LED Multichip
LED lifespan	50.000 h	50.000 h	50.000 h	50.000 h
Lumen LED	720 lum - 120°	1440 lum - 120°	2160 lum - 120°	2880 lum - 120°
Light color	5000 K - CRI65	5000 K - CRI65	5000 K - CRI65	5000 K - CRI65
Structure	anodized aluminium	anodized aluminium	anodized aluminium	anodized aluminium
Glass	borosilicate	borosilicate	borosilicate	borosilicate
Fastenings	side plates T.FX01	side plates T.FX01	side plates T.FX01	side plates T.FX01
Cable	neoprene	neoprene	neoprene	neoprene

## ORDER CODES

TCITY.6	6W - cable 1,5 m	TCITY.12.M12	12W - M12	TCITY.18.C3	18W - cable 3 m	TCITY.24.C5	24W - cable 5 m
TCITY.12	12W - cable 1,5 m	TCITY.18.M12	18W - M12	TCITY.24.C3	24W - cable 3 m	TCITY.6.C10	6W - cable 10 m
TCITY.18	18W - cable 1,5 m	TCITY.24.M12	24W - M12	TCITY.6.C5	6W - cable 5 m	TCITY.12.C10	12W - cable 10 m
TCITY.24	24W - cable 1,5 m	TCITY.6.C3	6W - cable 3 m	TCITY.12.C5	12W - cable 5 m	TCITY.18.C10	18W - cable 10 m
TCITY.6.M12	6W - M12	TCITY.12.C3	12W - cable 3 m	TCITY.18.C5	18W - cable 5 m	TCITY.24.C10	24W - cable 10 m

## LUMINANCE DIAGRAMS





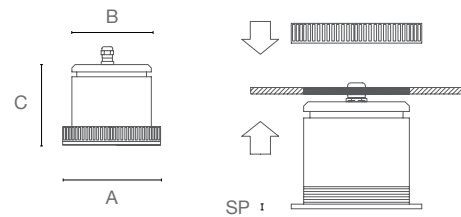
# TOOL P

Multiple uses for a single spot



By studying industrial machinery, we have come up with the TOOL P series, an extremely versatile and customisable panel lamp with a high degree of protection (IP68). It features a built-in structure with a self-locking fastening system and a concentrated beam of light. Available with 4 different lenses in 1, 3, 6 or 9 LED versions, the TOOL P provides the perfect solution for any lighting needs. Available with a cable or connector.

- Self-locking fastening system
- Waterproof structure IP68
- Minimum obstruction within machinery



	A Ø	B Ø	C	SP
<b>P1</b>	40	32	31,5	1,5
<b>P35</b>	55	47	45	1,5
<b>P3</b>	70	63	53	3
<b>P6</b>	70	63	53	3
<b>P9</b>	99	89	62	2

All values in mm.



## TECHNICAL FEATURES

	TOOL P1	TOOL P3	TOOL P35	TOOL P6	TOOL P9
<b>Power supply</b>	230 V or 24 Vdc	230 V or 24 Vdc	230 V or 24 Vdc	230 V or 24 Vdc	230 V or 24 Vdc
<b>Power</b>	3 W	6 W	6 W	12 W	18 W
<b>Current</b>	700 mA	500 mA	500 mA	500 mA	500 mA
<b>Degree of protection</b>	IP68	IP68	IP68	IP68	IP68
<b>LED type</b>	1 Power LED	3 Power LED	3 Power LED	6 Power LED	9 Power LED
<b>LED lifespan</b>	50.000 h	50.000 h	50.000 h	50.000 h	50.000 h
<b>Lumen LED</b>	170 lum	450 lum	450 lum	900 lum	1350 lum
<b>Light color</b>	5000 K - CRI75	5000 K - CRI75	5000 K - CRI75	5000 K - CRI75	5000 K - CRI75
<b>Lenses</b>	8° - 25° - 40° - 60°	8° - 25° - 40°	8° - 25° - 40°	8° - 25° - 40°	8° - 25° - 40° - 60°
<b>Spot</b>	anodized aluminium frontal tempered 4 mm glass	anodized aluminium frontal tempered 4 mm glass	anodized aluminium frontal tempered 4 mm glass	anodized aluminium frontal tempered 4 mm glass	anodized aluminium frontal tempered 4 mm glass
<b>LED driver</b>	external (24Vdc and 230V)	integrated (24Vdc) or external (230V)	integrated (24Vdc) or external (230V)	integrated (24Vdc) or external (230V)	integrated (24Vdc) or external (230V)
<b>Fastenings</b>	threaded ring	threaded ring	threaded ring	threaded ring	threaded ring
<b>Cable</b>	neoprene	neoprene	neoprene	neoprene	neoprene

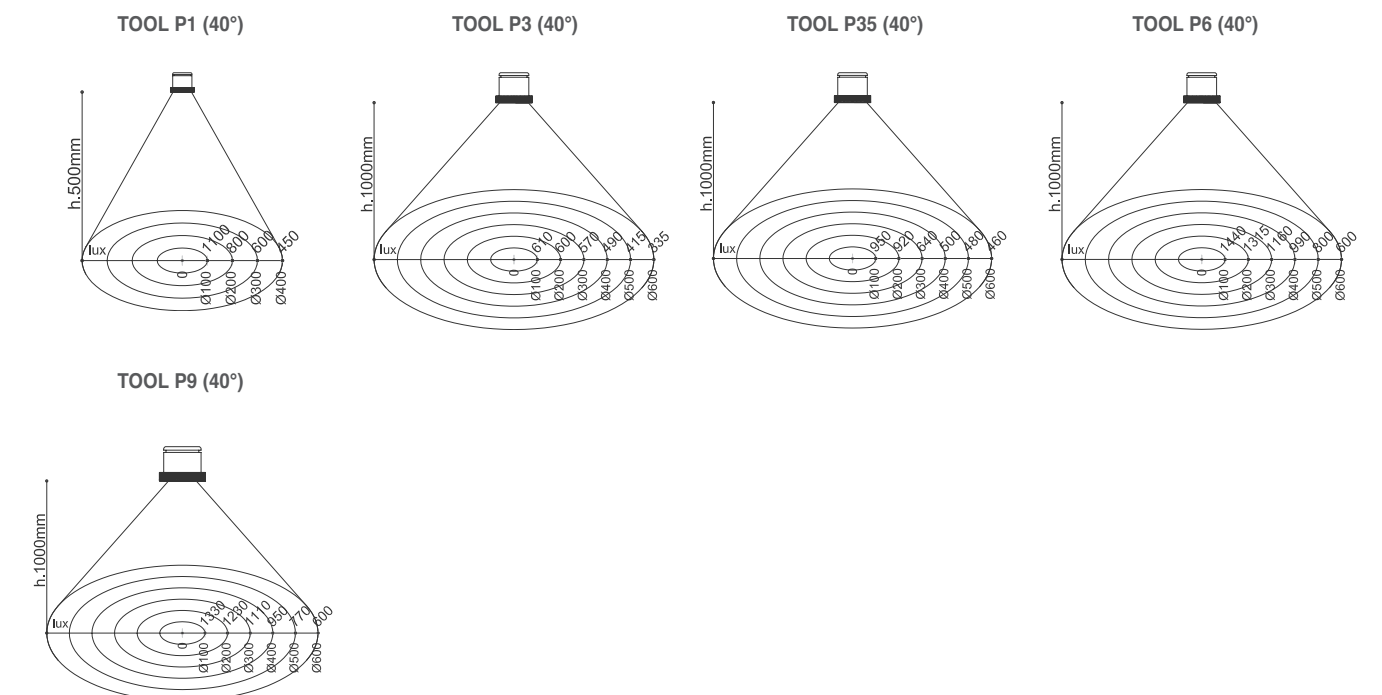


## ORDER CODES

<b>P1.XX.24</b>	24Vdc - cable 1,5 m	<b>P3.XX.230.M12</b>	230V - M12	<b>P6.XX.24.C5</b>	24Vdc - cable 5 m	<b>P9.XX.230.C10</b>	230V - cable 10 m
<b>P1.XX.230</b>	230V - cable 1,5 m	<b>P3.XX.24.C3</b>	24Vdc - cable 3 m	<b>P6.XX.230.C5</b>	230V - cable 5 m	<b>P35.XX.24</b>	24Vdc - cable 1,5 m
<b>P1.XX.24.M8</b>	24Vdc - M8	<b>P3.XX.230.C3</b>	230V - cable 3 m	<b>P6.XX.24.C10</b>	24Vdc - cable 10 m	<b>P35.XX.230</b>	230V - cable 1,5 m
<b>P1.XX.230.M8</b>	230V - M8	<b>P3.XX.24.C5</b>	24Vdc - cable 5 m	<b>P6.XX.230.C10</b>	230V - cable 10 m	<b>P35.XX.24.M12</b>	24Vdc - M12
<b>P1.XX.24.C3</b>	24Vdc - cable 3 m	<b>P3.XX.230.C5</b>	230V - cable 5 m	<b>P9.XX.24</b>	24Vdc - cable 1,5 m	<b>P35.XX.230.M12</b>	230V - M12
<b>P1.XX.230.C3</b>	230V - cable 3 m	<b>P3.XX.24.C10</b>	24Vdc - cable 10 m	<b>P9.XX.230</b>	230V - cable 1,5 m	<b>P35.XX.24.C3</b>	24Vdc - cable 3 m
<b>P1.XX.24.C5</b>	24Vdc - cable 5 m	<b>P3.XX.230.C10</b>	230V - cable 10 m	<b>P9.XX.24.M12</b>	24Vdc - M12	<b>P35.XX.230.C3</b>	230V - cable 3 m
<b>P1.XX.230.C5</b>	230V - cable 5 m	<b>P6.XX.24</b>	24Vdc - cable 1,5 m	<b>P9.XX.230.M12</b>	230V - M12	<b>P35.XX.24.C5</b>	24Vdc - cable 5 m
<b>P1.XX.24.C10</b>	24Vdc - cable 10 m	<b>P6.XX.230</b>	230V - cable 1,5 m	<b>P9.XX.24.C3</b>	24Vdc - cable 3 m	<b>P35.XX.230.C5</b>	230V - cable 5 m
<b>P1.XX.230.C10</b>	230V - cable 10 m	<b>P6.XX.24.M12</b>	24Vdc - M12	<b>P9.XX.230.C3</b>	230V - cable 3 m	<b>P35.XX.24.C10</b>	24Vdc - cable 10 m
<b>P3.XX.24</b>	24Vdc - cable 1,5 m	<b>P6.XX.230.M12</b>	230V - M12	<b>P9.XX.24.C5</b>	24Vdc - cable 5 m	<b>P35.XX.230.C10</b>	230V - cable 10 m
<b>P3.XX.230</b>	230V - cable 1,5 m	<b>P6.XX.24.C3</b>	24Vdc - cable 3 m	<b>P9.XX.230.C5</b>	230V - cable 5 m		
<b>P3.XX.24.M12</b>	24Vdc - M12	<b>P6.XX.230.C3</b>	230V - cable 3 m	<b>P9.XX.24.C10</b>	24Vdc - cable 10 m		

XX = Please specify type of lens: 8°, 25°, 40° or 60° (60° lens only available in the P1 and P9 versions)

## LUMINANCE DIAGRAMS



# EXLIGHT

Extra slim LED efficiency

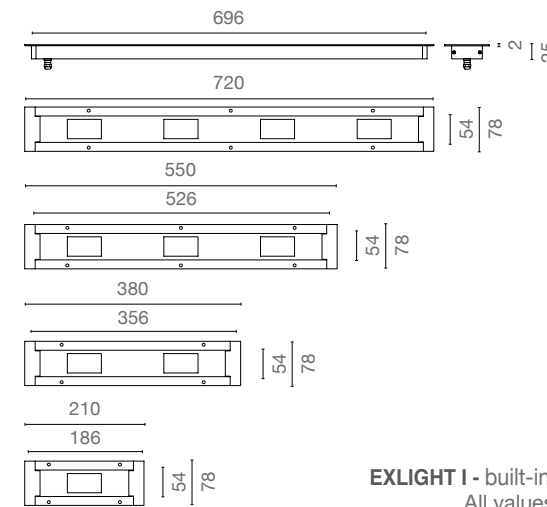


The EXLIGHT series was created from the need to provide machine manufacturers with compact, linear lighting with a high light output. This led us to design a lamp that could provide a high-efficiency 6W multi-chip LED light within an extra slim structure with a high degree of protection, making it perfect for using in small spaces inside CNC or EDM machines. Available in 6, 12, 18 and 24W versions.

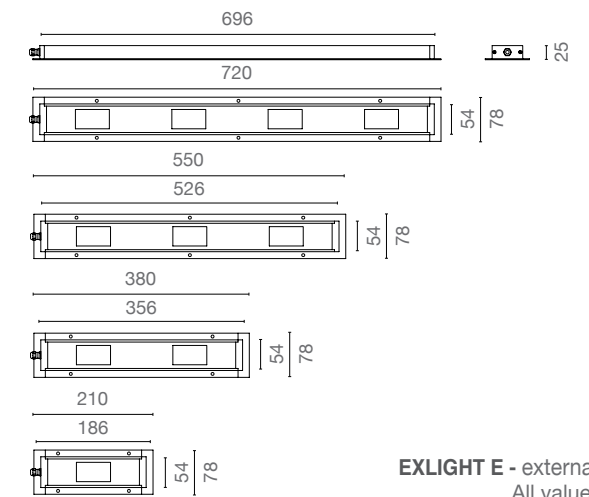
- Extra slim structure design
- I.D.S. technology for direct 24Vdc connection
- Available with a side cable or M12 connector
- 4 lengths available, either built-in or as an external attachment



Automatic machine tools



**EXLIGHT I** - built-in version  
All values in mm.



**EXLIGHT E** - external version  
All values in mm.



## TECHNICAL FEATURES

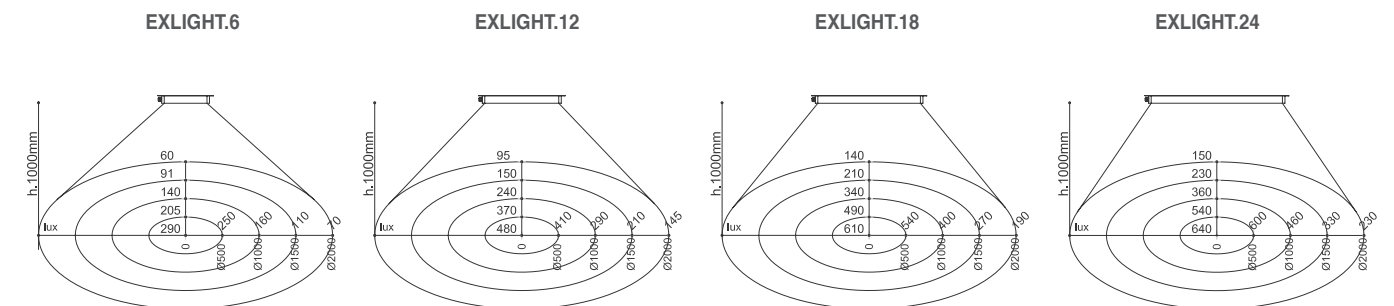
	EXLIGHT.6	EXLIGHT.12	EXLIGHT.18	EXLIGHT.24
<b>Power supply</b>	24 Vdc	24 Vdc	24 Vdc	24 Vdc
<b>Power</b>	6 W	12 W	18 W	24 W
<b>Current</b>	0,7 A	0,7 A	1,4 A	1,4 A
<b>Degree of protection</b>	IP67	IP67	IP67	IP67
<b>LED type</b>	1 LED Multichip	2 LED Multichip	3 LED Multichip	4 LED Multichip
<b>LED lifespan</b>	50.000 h	50.000 h	50.000 h	50.000 h
<b>Lumen LED</b>	720 lum - 120°	1440 lum - 120°	2160 lum - 120°	2880 lum - 120°
<b>Light color</b>	5000 K - CRI65	5000 K - CRI65	5000 K - CRI65	5000 K - CRI65
<b>Structure</b>	anodized aluminium	anodized aluminium	anodized aluminium	anodized aluminium
<b>Glass</b>	4 mm tempered glass	4 mm tempered glass	4 mm tempered glass	4 mm tempered glass
<b>Fastenings</b>	M5 screws	M5 screws	M5 screws	M5 screws
<b>Cable</b>	neoprene	neoprene	neoprene	neoprene

## ORDER CODES

EXLIGHT.6.X	6W - cable 1,5 m	EXLIGHT.12.X.M12	12W - M12	EXLIGHT.18.X.C3	18W - cable 3 m	EXLIGHT.24.X.C5	24W - cable 5 m
EXLIGHT.12.X	12W - cable 1,5 m	EXLIGHT.18.X.M12	18W - M12	EXLIGHT.24.X.C3	24W - cable 3 m	EXLIGHT.6.X.C10	6W - cable 10 m
EXLIGHT.18.X	18W - cable 1,5 m	EXLIGHT.24.X.M12	24W - M12	EXLIGHT.6.X.C5	6W - cable 5 m	EXLIGHT.12.X.C10	12W - cable 10 m
EXLIGHT.24.X	24W - cable 1,5 m	EXLIGHT.6.X.C3	6W - cable 3 m	EXLIGHT.12.X.C5	12W - cable 5 m	EXLIGHT.18.X.C10	18W - cable 10 m
EXLIGHT.6.X.M12	6W - M12	EXLIGHT.12.X.C3	12W - cable 3 m	EXLIGHT.18.X.C5	18W - cable 5 m	EXLIGHT.24.X.C10	24W - cable 10 m

X = Please specify which version: **E** external or **I** built-in (M12 only available in external versions)

## LUMINANCE DIAGRAMS





## Manual machine tools

Our lights for manual machine tools come from our long experience in the field of metalwork. We have combined a solid structure and excellent brightness to provide lathe, mill and drill workers with robust, high-performance lighting.

We have created a high-efficiency, concentrated-beam LED powered light with an average life of 60,000 hours and a choice of different lenses.

It is safe to use thanks to its low supply voltage and the low surface temperature of the lamp, which prevent the risk of scalding or burning.

The fastenings have been designed so they keep the lamp completely stable even during strong vibrations, while also providing the option of adjusting the lamp as desired.

# T-LED

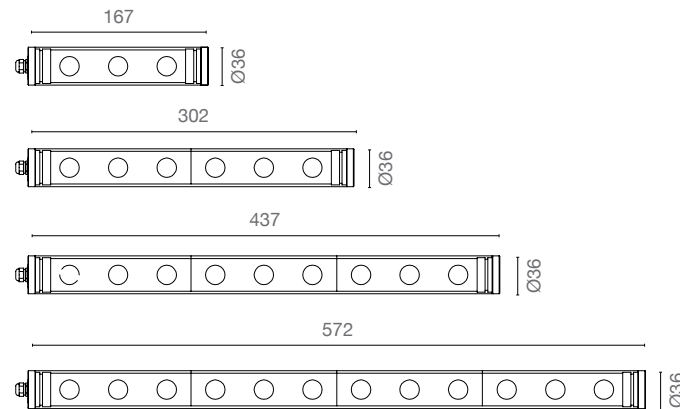
Guaranteed precision and versatility



The T-LED series has been designed to offer a modular solution with a concentrated luminous flux for machine tools such as high-speed milling tools, lathes and drills. The IP68 aluminium structure and polycarbonate cover make this lamp resistant to vibrations and shavings.

It has a concentrated flow of light thanks to the various types of lenses, ranging between 8°, 25°, 40° and 60°, so it can even illuminate distant points. Two different fastenings allow you to fully adjust the beam of light.

- 4 lengths available
- 4 types of lenses with a narrow, medium or wide beam angle
- High degree of protection IP68
- Adjustable with various fastenings available



All values in mm.



## TECHNICAL FEATURES

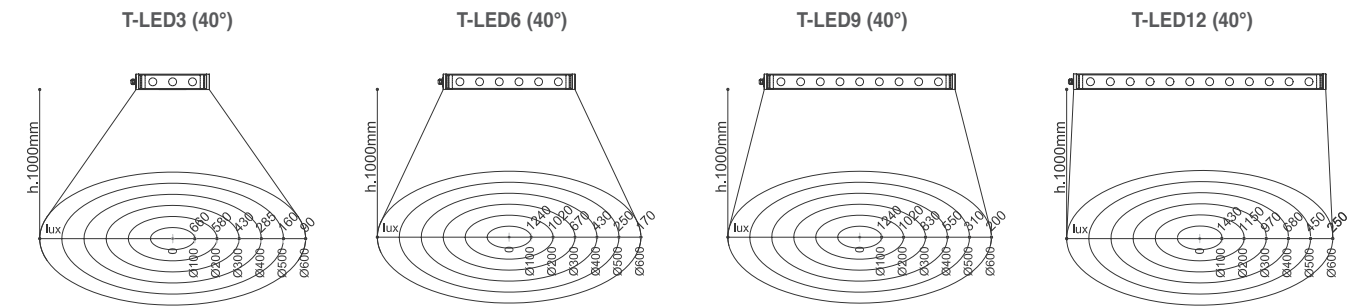
	T-LED3	T-LED6	T-LED9	T-LED12
<b>Power supply</b>	230 V or 24 Vdc (external driver)	230 V or 24 Vdc (external driver)	230 V (external driver)	230 V (external driver)
<b>Power</b>	6 W	12 W	18 W	24 W
<b>Current</b>	500 mA	500 mA	500 mA	500 mA
<b>Degree of protection</b>	IP68	IP68	IP68	IP68
<b>LED type</b>	3 Power LED	6 Power LED	9 Power LED	12 Power LED
<b>LED lifespan</b>	50.000 h	50.000 h	50.000 h	50.000 h
<b>Lumen LED</b>	450 lum	900 lum	1350 lum	1800 lum
<b>Light color</b>	5000 K - CRI75	5000 K - CRI75	5000 K - CRI75	5000 K - CRI75
<b>Structure</b>	anodized aluminium	anodized aluminium	anodized aluminium	anodized aluminium
<b>Coverage</b>	polycarbonate	polycarbonate	polycarbonate	polycarbonate
<b>Fastenings</b>	CLIP.36 or side plates T.FX01	CLIP.36 or side plates T.FX01	CLIP.36 or side plates T.FX01	CLIP.36 or side plates T.FX01
<b>Cable</b>	neoprene	neoprene	neoprene	neoprene

## ORDER CODES

<b>TLED3.XX.24</b>	24 Vdc - cable 1,5m	<b>TLED6.XX.230</b>	230 V - cable 1,5m	<b>TLED12.XX.230</b>	230 V - cable 1,5m
<b>TLED3.XX.230</b>	230 V - cable 1,5m	<b>TLED6.XX.DIM</b>	230 V - dimmer	<b>TLED12.XX.DIM</b>	230 V - dimmer
<b>TLED3.XX.DIM</b>	230 V - dimmer	<b>TLED9.XX.230</b>	230 V - cable 1,5m		
<b>TLED6.XX.24</b>	24 Vdc - cable 1,5m	<b>TLED9.XX.DIM</b>	230 V - dimmer		

XX = Please specify type of lens: 8°,25°,40° or 60°

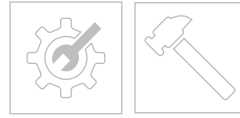
## LUMINANCE DIAGRAMS





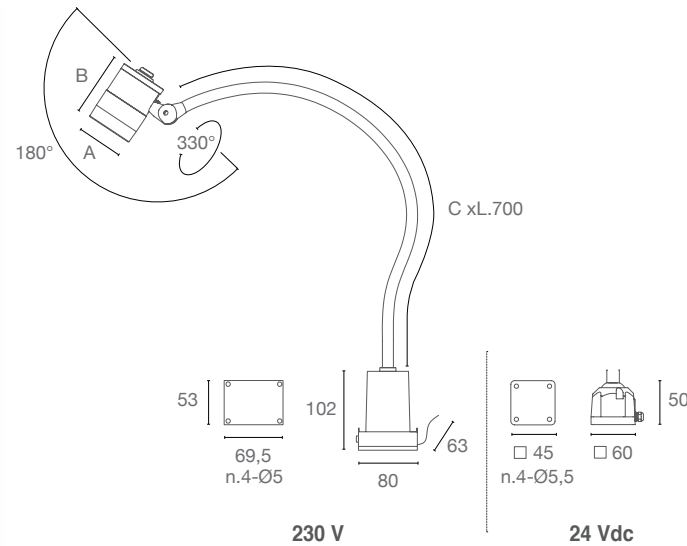
# TOOL BF

Flexible and concentrated



The concept behind this lamp combines flexibility with resistance in a sleek, captivating design. The TOOL BF features a uniform 5000 K light. It is perfect for workstations where the operator's eyesight is subject to stress throughout the entire day. The exceptionally flexible arm allows you to position the lamp as desired. Available in 3, 6 or 9 LED power versions with several types of lenses, a dimmer option is available upon request.

- Flexible arm for maximum flexibility of use
- Several types of lenses with a narrow, medium or wide beam angle
- Integrated 24Vdc (I.D.S system) or 110/230V connection
- Up to 50% energy saving compared with traditional lighting



	A Ø	B	C Ø	All values in mm.
BF3	64	86	15	
BF6	64	86	15	
BF9	90	101	18	



## TECHNICAL FEATURES

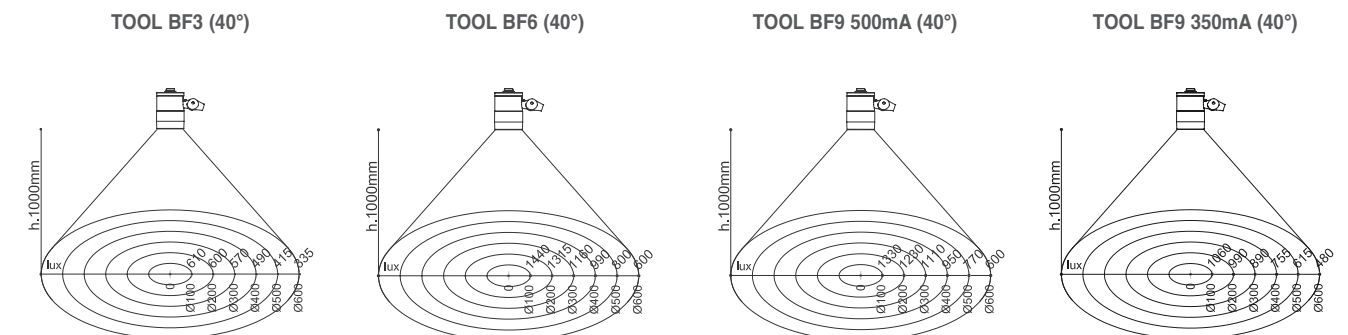
	TOOL BF3	TOOL BF6	TOOL BF9
<b>Power supply</b>	230 V or 24 Vdc	230 V or 24 Vdc	230 V or 24 Vdc
<b>Power</b>	6 W	12 W	9 W (230 V) - 18 W (24 Vdc)
<b>Current</b>	500 mA	500 mA	350 mA (230 V) - 500 mA (24 Vdc)
<b>Degree of protection</b>	IP65	IP65	IP65
<b>LED type</b>	3 Power LED	6 Power LED	9 Power LED
<b>LED lifespan</b>	50.000 h	50.000 h	50.000 h
<b>Lumen LED</b>	450 lum	900 lum	960 (230 V) - 1350 (24 Vdc)
<b>Light color</b>	5000 K - CRI75	5000 K - CRI75	5000 K - CRI75
<b>Lenses</b>	8° - 25° - 40°	8° - 25° - 40°	8° - 25° - 40° - 60°
<b>Structure</b>	anodized aluminium frontal tempered 4 mm glass	anodized aluminium frontal tempered 4 mm glass	anodized aluminium frontal tempered 4 mm glass
<b>LED driver</b>	integrated (24 Vdc) in the base (230 V)	integrated (24 Vdc) in the base (230 V)	integrated (24 Vdc) in the base (230 V)
<b>Fastenings</b>	CLAMP03/B01 (230 V) CLAMP04/B02 (24 Vdc)	CLAMP03/B01 (230 V) CLAMP04/B02 (24 Vdc)	CLAMP03/B01 (230 V) CLAMP04/B02 (24 Vdc)
<b>Cable</b>	PVC with Schuko plug (230 V) neoprene (24 Vdc)	PVC with Schuko plug (230 V) neoprene (24 Vdc)	PVC with Schuko plug (230 V) neoprene (24 Vdc)



## ORDER CODES

BF3.08.24	lens 8° - 24 Vdc	BF3.25.DIM	lens 25° - 230 V dim.	BF6.40.230	lens 40° - 230 V	BF9.60.24	lens 60° - 24 Vdc
BF3.25.24	lens 25° - 24 Vdc	BF3.40.DIM	lens 40° - 230 V dim.	BF6.08.DIM	lens 8° - 230 V dim.	BF9.08.230	lens 8° - 230 V
BF3.40.24	lens 40° - 24 Vdc	BF6.08.24	lens 8° - 24 Vdc	BF6.25.DIM	lens 25° - 230 V dim.	BF9.25.230	lens 25° - 230 V
BF3.08.230	lens 8° - 230 V	BF6.25.24	lens 25° - 24 Vdc	BF6.40.DIM	lens 40° - 230 V dim.	BF9.40.230	lens 40° - 230 V
BF3.25.230	lens 25° - 230 V	BF6.40.24	lens 40° - 24 Vdc	BF9.08.24	lens 8° - 24 Vdc	BF9.60.230	lens 60° - 230 V
BF3.40.230	lens 40° - 230 V	BF6.08.230	lens 8° - 230 V	BF9.25.24	lens 25° - 24 Vdc		
BF3.08.DIM	lens 8° - 230 V dim.	BF6.25.230	lens 25° - 230 V	BF9.40.24	lens 40° - 24 Vdc		

## LUMINANCE DIAGRAMS



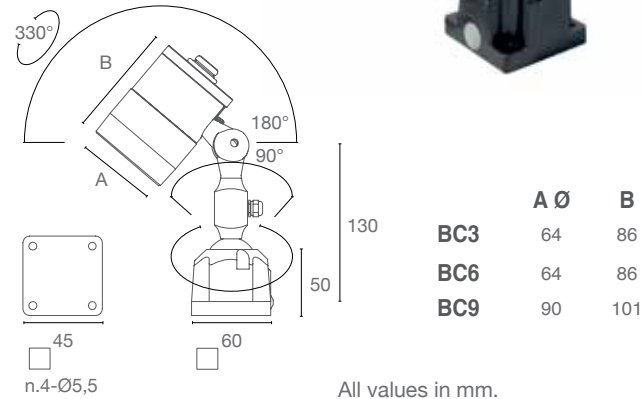
# TOOL BC

Robust and compact for your work



Robust and compact, the TOOL BC lamp can be used in small spaces, leaving ample free space for you to manage your work area. The 5000 K light can be concentrated as necessary thanks to several types of lenses available. It is available in 3, 6 or 9 LED power versions and a dimmer option is available upon request.

- Compact dimensions
- Several types of lenses with a narrow, medium or wide beam angle
- Integrated 24Vdc (I.D.S system) or 110/230V connection
- Up to 50% energy saving compared with traditional lighting



## TECHNICAL FEATURES

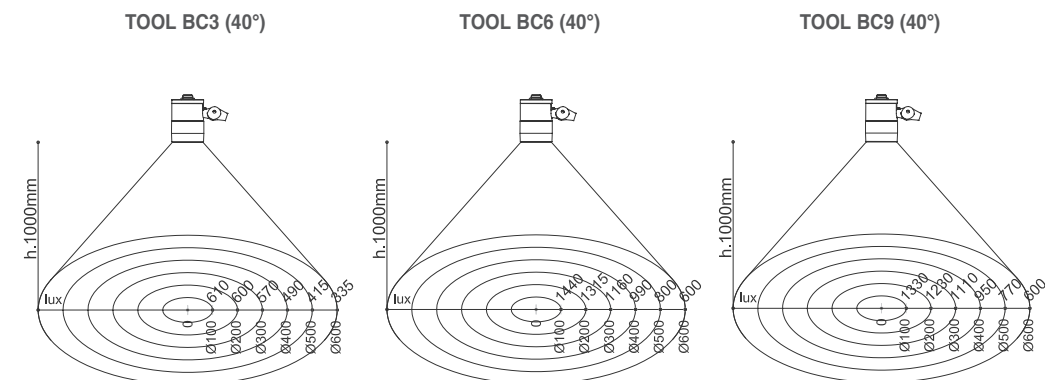
	TOOL BC3	TOOL BC6	TOOL BC9
<b>Power supply</b>	230 V or 24 Vdc	230 V or 24 Vdc	230 V or 24 Vdc
<b>Power</b>	6 W	12 W	18 W
<b>Current</b>	500 mA	500 mA	500 mA
<b>Degree of protection</b>	IP65	IP65	IP65
<b>LED type</b>	3 Power LED	6 Power LED	9 Power LED
<b>LED lifespan</b>	50.000 h	50.000 h	50.000 h
<b>Lumen LED</b>	450 lum	900 lum	1350 lum
<b>Light color</b>	5000 K - CRI75	5000 K - CRI75	5000 K - CRI75
<b>Lenses</b>	8° - 25° - 40°	8° - 25° - 40°	8° - 25° - 40° - 60°
<b>Structure</b>	anodized aluminium frontal tempered 4 mm glass	anodized aluminium frontal tempered 4 mm glass	anodized aluminium frontal tempered 4 mm glass
<b>LED driver</b>	integrated (24 Vdc) external (230 V)	integrated (24 Vdc) external (230 V)	integrated (24 Vdc) external (230 V)
<b>Fastenings</b>	CLAMP04 or B02	CLAMP04 or B02	CLAMP04 or B02
<b>Cable</b>	PVC with Schuko plug (230 V) neoprene (24 Vdc)	PVC with Schuko plug (230 V) neoprene (24 Vdc)	PVC with Schuko plug (230 V) neoprene (24 Vdc)



## ORDER CODES

<b>BC3.08.24</b> lens 8° - 24 Vdc	<b>BC3.40.DIM</b> lens 40° - 230 V dim.	<b>BC6.25.DIM</b> lens 25° - 230 V dim.	<b>BC9.40.230</b> lens 40° - 230 V
<b>BC3.25.24</b> lens 25° - 24 Vdc	<b>BC6.08.24</b> lens 8° - 24 Vdc	<b>BC6.40.DIM</b> lens 40° - 230 V dim.	<b>BC9.60.230</b> lens 60° - 230 V
<b>BC3.40.24</b> lens 40° - 24 Vdc	<b>BC6.25.24</b> lens 25° - 24 Vdc	<b>BC9.08.24</b> lens 8° - 24 Vdc	<b>BC9.08.DIM</b> lens 8° - 230 V dim.
<b>BC3.08.230</b> lens 8° - 230 V	<b>BC6.40.24</b> lens 40° - 24 Vdc	<b>BC9.25.24</b> lens 25° - 24 Vdc	<b>BC9.25.DIM</b> lens 25° - 230 V dim.
<b>BC3.25.230</b> lens 25° - 230 V	<b>BC6.08.230</b> lens 8° - 230 V	<b>BC9.40.24</b> lens 40° - 24 Vdc	<b>BC9.40.DIM</b> lens 40° - 230 V dim.
<b>BC3.40.230</b> lens 40° - 230 V	<b>BC6.25.230</b> lens 25° - 230 V	<b>BC9.60.24</b> lens 60° - 24 Vdc	<b>BC9.60.DIM</b> lens 60° - 230 V dim.
<b>BC3.08.DIM</b> lens 8° - 230 V dim.	<b>BC6.40.230</b> lens 40° - 230 V	<b>BC9.08.230</b> lens 8° - 230 V	
<b>BC3.25.DIM</b> lens 25° - 230 V dim.	<b>BC6.08.DIM</b> lens 8° - 230 V dim.	<b>BC9.25.230</b> lens 25° - 230 V	

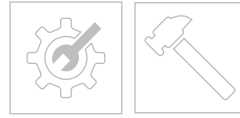
## LUMINANCE DIAGRAMS





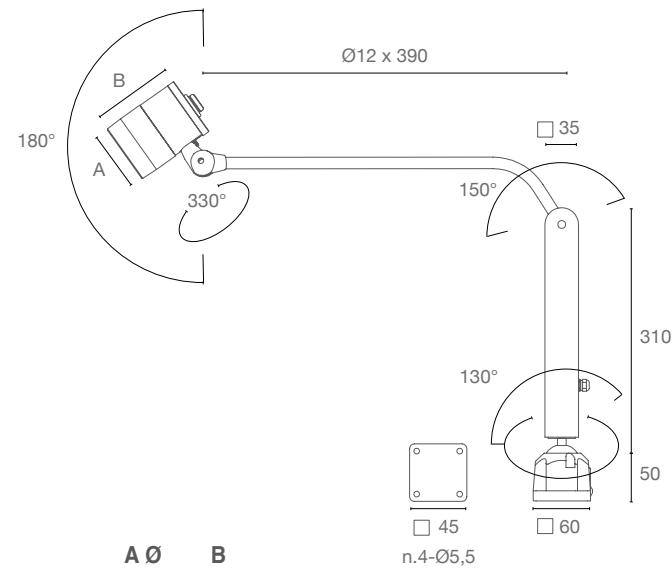
# TOOL BL

Power LED resistance for machine tools



We have designed this LED powered light with an articulated arm to guarantee full stability even during high mechanical stress. Thanks to the many options available, you can choose between 3, 6 or 9 LED versions and from several types of lenses. It is also available in versions with a 24Vdc or 230V connection and a Schuko plug.

- Articulated arm, fully vibration resistant
- Several types of lenses with a narrow, medium or wide beam angle
- Integrated 24Vdc (I.D.S system) or 110/230V connection
- Up to 50% energy saving compared with traditional lighting



	A Ø	B	
<b>BL3</b>	64	86	
<b>BL6</b>	64	86	
<b>BL9</b>	90	101	All values in mm.



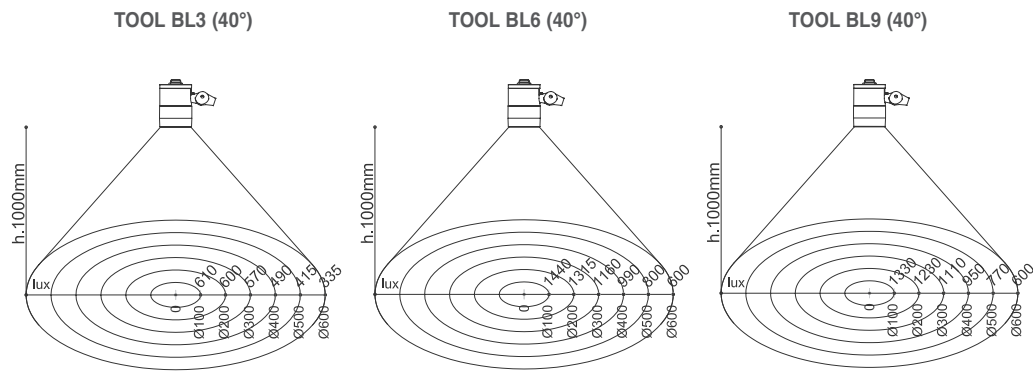
## TECHNICAL FEATURES

	TOOL BL3	TOOL BL6	TOOL BL9
<b>Power supply</b>	230 V or 24 Vdc	230 V or 24 Vdc	230 V or 24 Vdc
<b>Power</b>	6 W	12 W	18 W
<b>Current</b>	500 mA	500 mA	500 mA
<b>Degree of protection</b>	IP65	IP65	IP65
<b>LED type</b>	3 Power LED	6 Power LED	9 Power LED
<b>LED lifespan</b>	50.000 h	50.000 h	50.000 h
<b>Lumen LED</b>	450 lum	900 lum	1350 lum
<b>Light color</b>	5000 K - CRI75	5000 K - CRI75	5000 K - CRI75
<b>Lenses</b>	8° - 25° - 40°	8° - 25° - 40°	8° - 25° - 40° - 60°
<b>Structure</b>	anodized aluminium frontal tempered 4 mm glass	anodized aluminium frontal tempered 4 mm glass	anodized aluminium frontal tempered 4 mm glass
<b>LED driver</b>	integrated (24 Vdc) in the arm (230 V)	integrated (24 Vdc) in the arm (230 V)	integrated (24 Vdc) in the arm (230 V)
<b>Fastenings</b>	CLAMP04 or B02	CLAMP04 or B02	CLAMP04 or B02
<b>Cable</b>	PVC with Schuko plug (230 V) neoprene (24 Vdc)	PVC with Schuko plug (230 V) neoprene (24 Vdc)	PVC with Schuko plug (230 V) neoprene (24 Vdc)

## ORDER CODES

<b>BL3.08.24</b>	lens 8° - 24 Vdc	<b>BL6.25.24</b>	lens 25° - 24 Vdc	<b>BL9.40.24</b>	lens 40° - 24 Vdc
<b>BL3.25.24</b>	lens 25° - 24 Vdc	<b>BL6.40.24</b>	lens 40° - 24 Vdc	<b>BL9.60.24</b>	lens 60° - 24 Vdc
<b>BL3.40.24</b>	lens 40° - 24 Vdc	<b>BL6.08.230</b>	lens 8° - 230 V	<b>BL9.08.230</b>	lens 8° - 230 V
<b>BL3.08.230</b>	lens 8° - 230 V	<b>BL6.25.230</b>	lens 25° - 230 V	<b>BL9.25.230</b>	lens 25° - 230 V
<b>BL3.25.230</b>	lens 25° - 230 V	<b>BL6.40.230</b>	lens 40° - 230 V	<b>BL9.40.230</b>	lens 40° - 230 V
<b>BL3.40.230</b>	lens 40° - 230 V	<b>BL9.08.24</b>	lens 8° - 24 Vdc	<b>BL9.60.230</b>	lens 60° - 230 V
<b>BL6.08.24</b>	lens 8° - 24 Vdc	<b>BL9.25.24</b>	lens 25° - 24 Vdc		

## LUMINANCE DIAGRAMS



## Workbenches and industrial lighting

Increasing workers' well-being at the workplace will raise their quality of life and boost their productivity. This idea formed the starting point behind our design for these lights. The goal was to create an environment with natural lighting that does not distort colours or strain the eyes, thereby preventing physical discomforts such as burning eyes or headaches.

We use monochromatic light sources which do not experience the effects of light frequency, such as ultraviolet or infrared, thereby providing comfort in even the toughest working environments. Furthermore, the filters and optics in these lights mean they are free from photobiological hazards in accordance with standard EN 62471:2009. Last but not least, don't forget their very long lifetime at 60,000 hours, or their energy savings, reducing consumption by over 50% compared with traditional lighting.





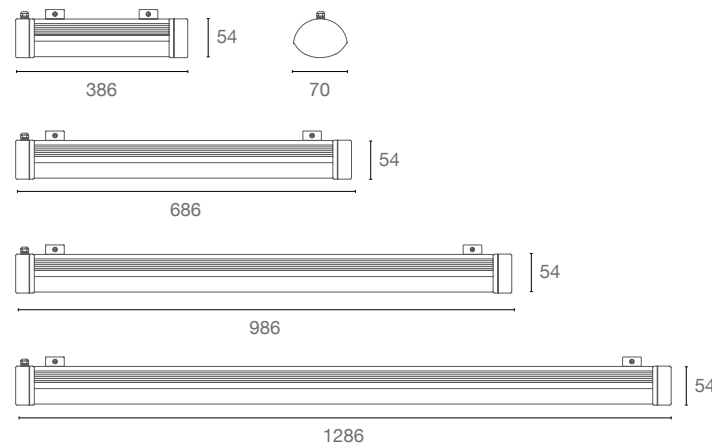
# JOB PL

Efficiency and versatility for industrial lighting

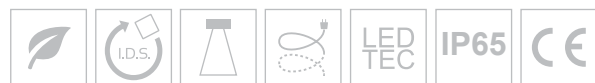


There are no better solutions than the JOB PL series for industrial environments. Thanks to our creativity and design here at C.C.E.A., we are able to offer a versatile lamp which can be installed on workbenches or mounted on ceilings as general lighting. The IP65 aluminium structure and polycarbonate cover make it perfect for use in industrial environments, even around dust. The colour of the 5000 K light does not distort colours or strain the eyes, making this lamp perfect for workstations where operators' eyesight is subject to stress throughout the entire day.

- High degree of protection IP65
- Flicker-free, anti-glare uniform lighting
- Light source with 60,000 hours of average life
- 50% energy saving
- I.D.S. technology for direct 24Vdc connection



All values in mm.



## TECHNICAL FEATURES

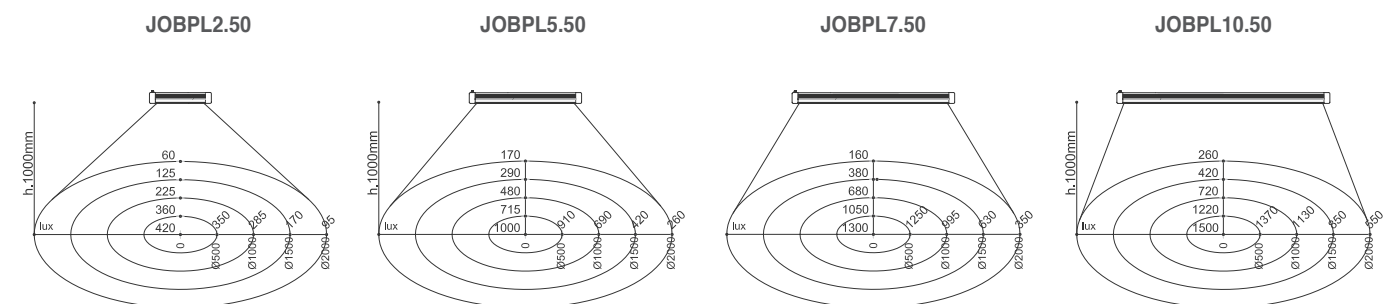
	JOBPL2.50	JOBPL5.50	JOBPL7.50	JOBPL10.50
<b>Power supply</b>	24 Vdc	24 Vdc	24 Vdc	24 Vdc
<b>Power</b>	13 W	34 W	47 W	68 W
<b>Current</b>	0,6 A	1,5 A	2,1 A	3,0 A
<b>Degree of protection</b>	IP65	IP65	IP65	IP65
<b>LED type</b>	Mini Power LED	Mini Power LED	Mini Power LED	Mini Power LED
<b>LED lifespan</b>	50.000 h	50.000 h	50.000 h	50.000 h
<b>Lumen LED</b>	1400 lum - 120°	3500 lum - 120°	4900 lum - 120°	7000 lum - 120°
<b>Light color</b>	5000 K - CRI75	5000 K - CRI75	5000 K - CRI75	5000 K - CRI75
<b>Structure</b>	anodized aluminium	anodized aluminium	anodized aluminium	anodized aluminium
<b>Coverage</b>	polycarbonate	polycarbonate	polycarbonate	polycarbonate
<b>Fastenings</b>	JOB.FX01	JOB.FX01	JOB.FX01	JOB.FX01
<b>Cable</b>	neoprene	neoprene	neoprene	neoprene



## ORDER CODES

<b>JOBPL2.50</b>	13 W - cable 1,5 m	<b>JOBPL2.50.C3</b>	13 W - cable 3 m	<b>JOBPL2.50.C5</b>	13 W - cable 5 m	<b>JOBPL2.50.C10</b>	13 W - cable 10 m
<b>JOBPL5.50</b>	34 W - cable 1,5 m	<b>JOBPL5.50.C3</b>	34 W - cable 3 m	<b>JOBPL5.50.C5</b>	34 W - cable 5 m	<b>JOBPL5.50.C10</b>	34 W - cable 10 m
<b>JOBPL7.50</b>	47 W - cable 1,5 m	<b>JOBPL7.50.C3</b>	47 W - cable 3 m	<b>JOBPL7.50.C5</b>	47 W - cable 5 m	<b>JOBPL7.50.C10</b>	47 W - cable 10 m
<b>JOBPL10.50</b>	68 W - cable 1,5 m	<b>JOBPL10.50.C3</b>	68 W - cable 3 m	<b>JOBPL10.50.C5</b>	68 W - cable 5 m	<b>JOBPL10.50.C10</b>	68 W - cable 10 m

## LUMINANCE DIAGRAMS



# JOB BR

Working under a different light



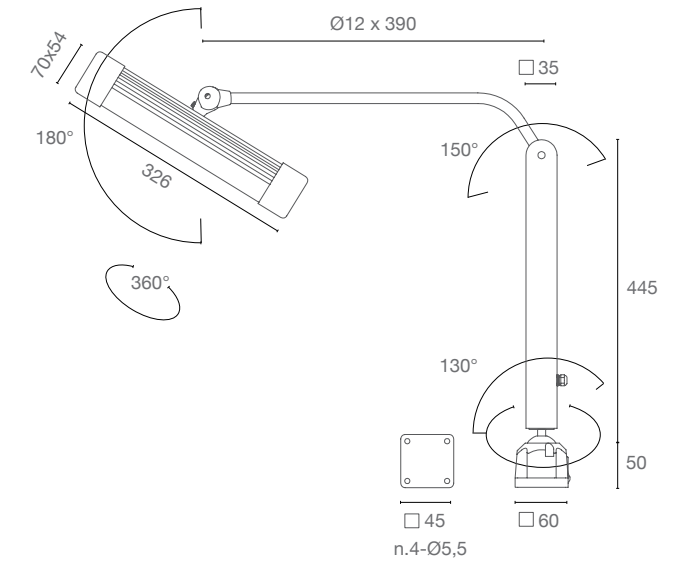
A working day can put a strain on your eyesight if you do not have efficient lighting. The JOB-BR lamp was created from the need to fit workbenches with constant, flicker-free lighting with excellent colour rendering, which is perfect for use in industrial environments. The lamp features a robust structure and a movable arm that can be positioned as desired.

Resistant, practical and available with a dimmer, this lamp guarantees an energy saving of 50% compared with traditional lighting.

- Articulated movable arm
- Flicker-free, anti-glare uniform lighting
- Light source with 60,000 hours of average life
- 50% energy saving



## Workbenches and industrial lighting



All values in mm.



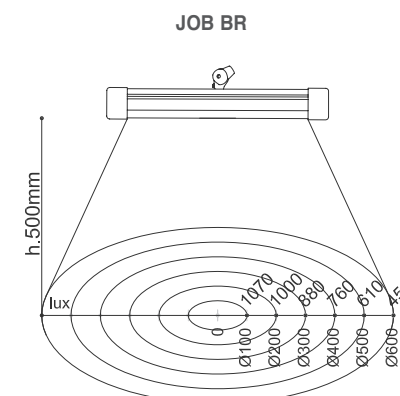
### TECHNICAL FEATURES

	JOB BR
Power supply	230 V or 24Vdc
Power	13 W
Current	0,6 A
Degree of protection	IP40 (IP65 spot)
LED type	mini Power LED
LED lifespan	50.000 h
Lumen LED	1400 lum - 120°
Light color	5000 K - CRI75
Structure	anodized aluminium and polycarbonate
Switch	on-off switch on the spot
Fastenings	CLAMP04 or B02
Cable	PVC with Schuko plug (230 V) neoprene (24 Vdc)

### ORDER CODES

JOBBR.24	13 W - 24 Vdc	JOBBR.230	13 W - 230 V	JOBBR.DIM	13 W - 230 V dimmer
----------	---------------	-----------	--------------	-----------	---------------------

### LUMINANCE DIAGRAMS





## Agri-food machinery

From our collaboration with major manufacturers of machinery for the agri-food sector, we have designed a lighting system that provides the perfect solution for use around liquids in pressurised environments up to 100 bar. The completely waterproof structure is tested in every product according to standard EN-60529.

The high-performance LED power circuits provide a uniform white 5000 K light along the entire structure with incredibly high colour rendering, making our lamps perfect for using inside food production machinery or bottling equipment.



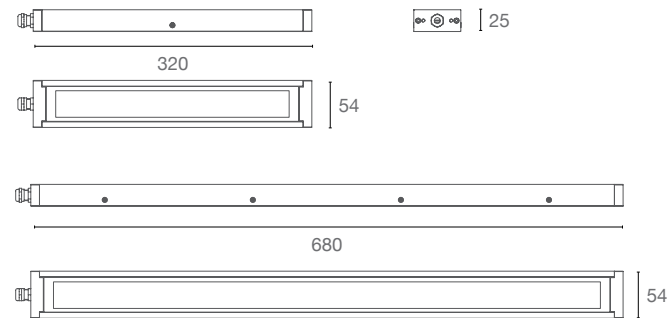
# TABIT

IP69K protection for LED lighting



The brightest star on Orion's shield, the name TABIT means "the endurer". It gets its name from its robust aluminium structure with a high degree of protection (IP69K), which makes it the perfect lamp for use under pressurised water up to 100 bar. The 4 mm tempered diffusing glass evenly distributes the 5000 K LED powered light, with 60,000 hours of average life. The TABIT series is the perfect solution for bottling and food processing machines.

- Robust aluminium structure with tempered glass
- High degree of protection IP69K
- I.D.S. technology for direct 24Vdc connection
- Available with a side cable or M12 connector



All values in mm.



## TECHNICAL FEATURES

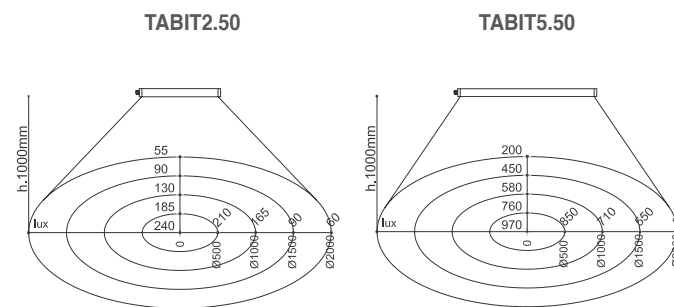
	TABIT2.50	TABIT5.50
Power supply	24 Vdc	24 Vdc
Power	13 W	34 W
Current	0,6 A	1,5 A
Degree of protection	IP69K	IP69K
LED type	mini Power LED	mini Power LED
LED lifespan	50.000 h	50.000 h
Beam width	120°	120°
Lumen LED	1400 lum	3500 lum
Light color	5000 K - CRI75	5000 K - CRI75
Structure	anodized aluminium	anodized aluminium
Glass	4 mm tempered glass	4 mm tempered glass
Fastenings	side plates TABIT.FX02	side plates TABIT.FX02
Cable	neoprene	neoprene



## ORDER CODES

TABIT.2.50	13 W - cable 1,5 m	TABIT.5.50.C3	34 W - cable 3 m
TABIT.5.50	34 W - cable 1,5 m	TABIT.2.50.C5	13 W - cable 5 m
TABIT.2.50.M12	13 W - M12	TABIT.5.50.C5	34 W - cable 5 m
TABIT.5.50.M12	34 W - M12	TABIT.2.50.C10	13 W - cable 10 m
TABIT.2.50.C3	13 W - cable 3 m	TABIT.5.50.C10	34 W - cable 10 m

## LUMINANCE DIAGRAMS





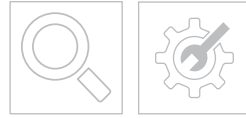
## Quality control and inspections

Quality management, or quality control, covers all activities undertaken by a certain manufacturer in order to achieve the company's quality policy objectives. Therefore adopting suitable tools for guaranteeing efficient inspections becomes a key issue.

We understand the important role played by lighting in these applications: we have designed versatile, high-performance lights which can provide colour rendering that makes colours very similar to those visible under natural sunlight and can therefore better highlight potential defects in the illuminated product. Their robust structures make them perfect for use in the industrial sector.

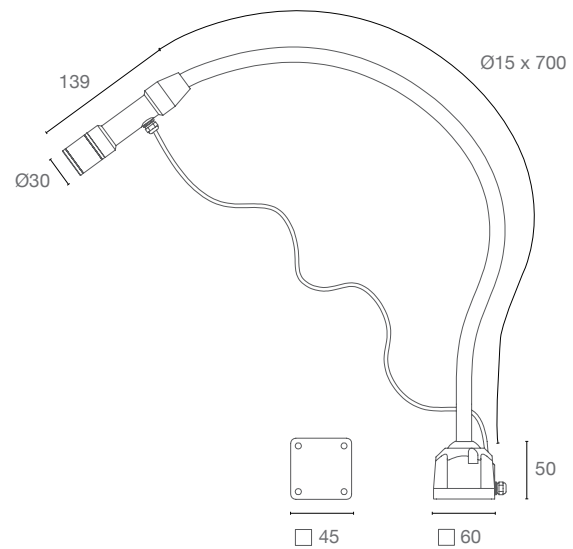
# BF1TMA

Light right down to the point



The BF1TMA lamp was created for precision lighting on machine tools. Featuring a robust IP65 structure to resist shavings and vibrations, this lamp can be used to check semi-finished pieces directly at the point of manufacture, avoiding the need to move. The white 5000 K light with 8°, 25°, 40° or 60° focus lenses helps to illuminate particular details within a two-metre radius thanks to the removable magnetic head and coiled cable.

- 4 types of lenses available: 8°, 25°, 40° or 60°
- Removable magnetic head, maximum freedom of movement
- Structure with a high degree of protection IP65



All values in mm.



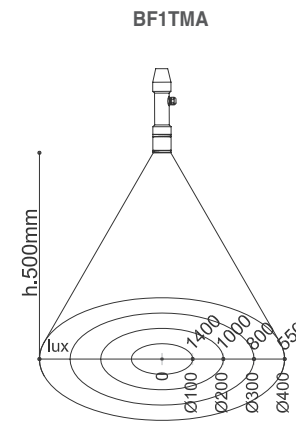
## TECHNICAL FEATURES

	BF1TMA
Power supply	230 V or 24Vdc
Power	3 W
Current	0,7 A
Degree of protection	IP65
LED type	Power LED
LED lifespan	50.000 h
Lenses	8° - 25° - 40° - 60°
Lumen LED	170 lum
Light color	5000 K - CRI75
Structure	anodized aluminium - 4 mm tempered glass
LED driver	external
Fastenings	CLAMP04 or B02
Cable	neoprene

## ORDER CODES

<b>BF1TMA.08.24</b> lens 8° - 24 Vdc	<b>BF1TMA.40.24</b> lens 40° - 24 Vdc	<b>BF1TMA.08.230</b> lens 8° - 230 V	<b>BF1TMA.40.230</b> lens 40° - 230 V
<b>BF1TMA.25.24</b> lens 25° - 24 Vdc	<b>BF1TMA.60.24</b> lens 60° - 24 Vdc	<b>BF1TMA.25.230</b> lens 25° - 230 V	<b>BF1TMA.60.230</b> lens 60° - 230 V

## LUMINANCE DIAGRAMS





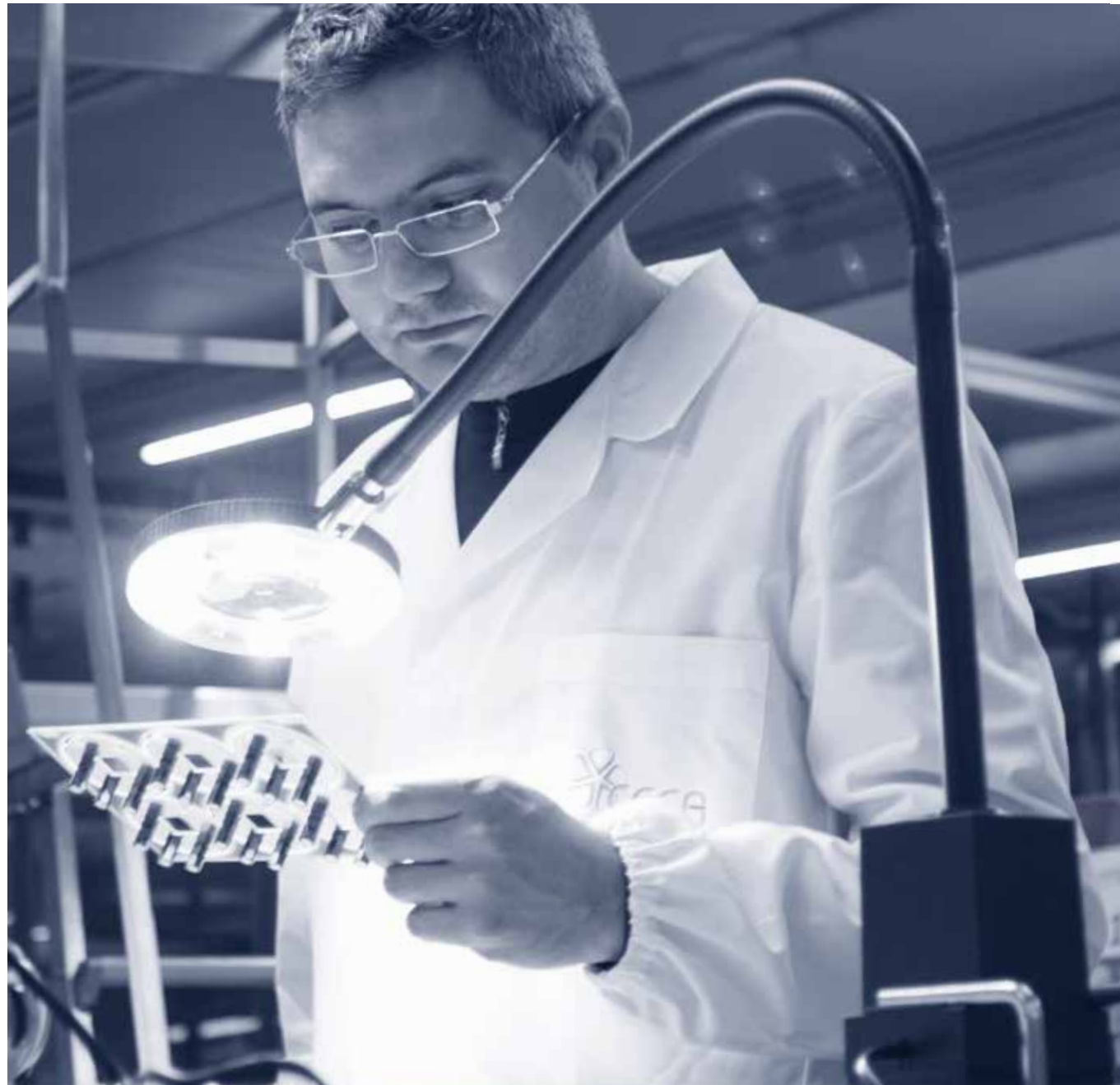
# BIG1

Flexibility and precision for quality control



The combination of next-gen Power LEDs with high colour rendering and biconvex optical glass lenses makes the BIG1 the perfect lamp for inspecting electronic components during precision manufacturing or for any work that requires maximum accuracy. Equipped with a PVC coated flexible arm, it can be easily adjusted as necessary. Available with two different optics, 1.0x or 1.9x, the BIG1 is the perfect choice if you need to pay the utmost attention to every detail.

- Two optics available: 1.0x and 1.9x
- LED circuit with 120° diffused lighting
- Extensive freedom of movement thanks to its flexible arm



Quality control and inspections



All values in mm.

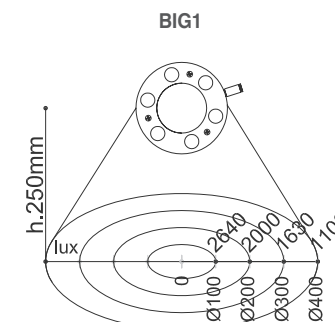
## TECHNICAL FEATURES

	<b>BIG1</b>
Power supply	230 V
Power	6 W
Current	350 mA
Degree of protection	IP30
LED type	Power LED
LED lifespan	50.000 h
Lumen LED	640 lum
Light color	5000 K - CRI75
Structure	ABS and polycarbonate
Switch	on-off switch on the base
Fastenings	CLAMP03 or B01
Cable	PVC with Schuko plug

## ORDER CODES

<b>BIG1.10.70.N.DIM</b>	1,0x - black - 230 V dim.	<b>BIG1.10.50.N</b>	1,0x - black - 230 V	<b>BIG1.19.50.N.DIM</b>	1,9x - black - 230 V dim.
<b>BIG1.10.70.B.DIM</b>	1,0x - R7035 - 230 V dim.	<b>BIG1.10.50.B</b>	1,0x - R7035 - 230 V	<b>BIG1.19.50.B.DIM</b>	1,9x - R7035 - 230 V dim.
<b>BIG1.10.70.N</b>	1,0x - nero - 230 V	<b>BIG1.19.70.N.DIM</b>	1,9x - black - 230 V dim.	<b>BIG1.19.50.N</b>	1,9x - black - 230 V
<b>BIG1.10.70.B</b>	1,0x - R7035 - 230 V	<b>BIG1.19.70.B.DIM</b>	1,9x - R7035 - 230 V dim.	<b>BIG1.19.50.B</b>	1,9x - R7035 - 230 V
<b>BIG1.10.50.N.DIM</b>	1,0x - black - 230 V dim.	<b>BIG1.19.70.N</b>	1,9x - black - 230 V		
<b>BIG1.10.50.B.DIM</b>	1,0x - R7035 - 230 V dim.	<b>BIG1.19.70.B</b>	1,9x - R7035 - 230 V		

## LUMINANCE DIAGRAMS



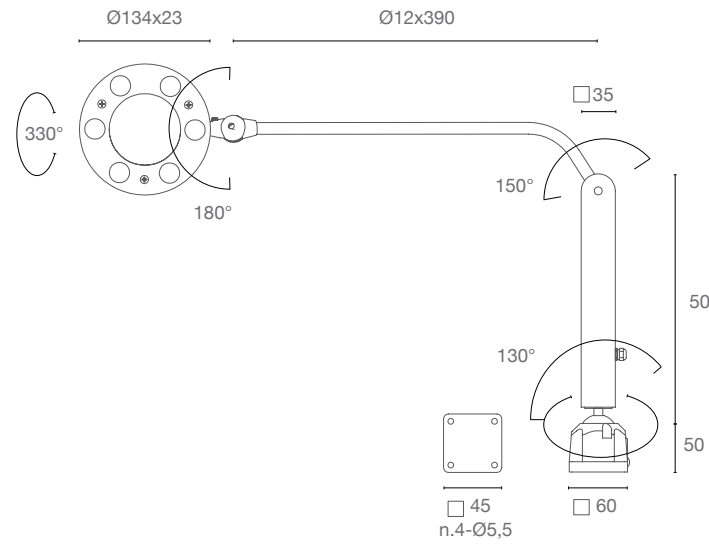
# BIG2

Light in the smallest detail



Enlarging and illuminating a particular detail to be examined is an essential requirement for good quality control and will also protect the operator's eyesight. Thanks to its aluminium articulated arm, the BIG2 guarantees maximum stability, while the powerful LED sources generate light with high colour rendering that is perfect for precision control. Available with two types of biconvex optical glass lenses: 1.0x and 1.9x

- Extensive freedom of movement
- Two optics available: 1.0x and 1.9x
- Maximum stability with its articulated arm



All values in mm.



## TECHNICAL FEATURES

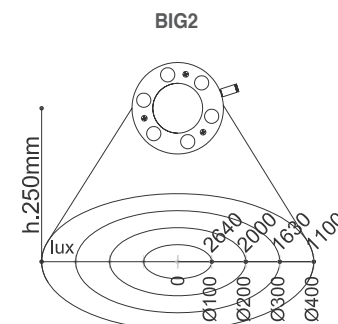
	BIG2
Power supply	230 V
Power	6 W
Current	350 mA
Degree of protection	IP30
LED type	Power LED
LED lifespan	50.000 h
Lumen LED	640 lum
Light color	5000 K - CRI75
Structure	ABS and polycarbonate
Switch	on-off switch on the arm
Fastenings	CLAMP04 or B02
Cable	PVC with Schuko plug



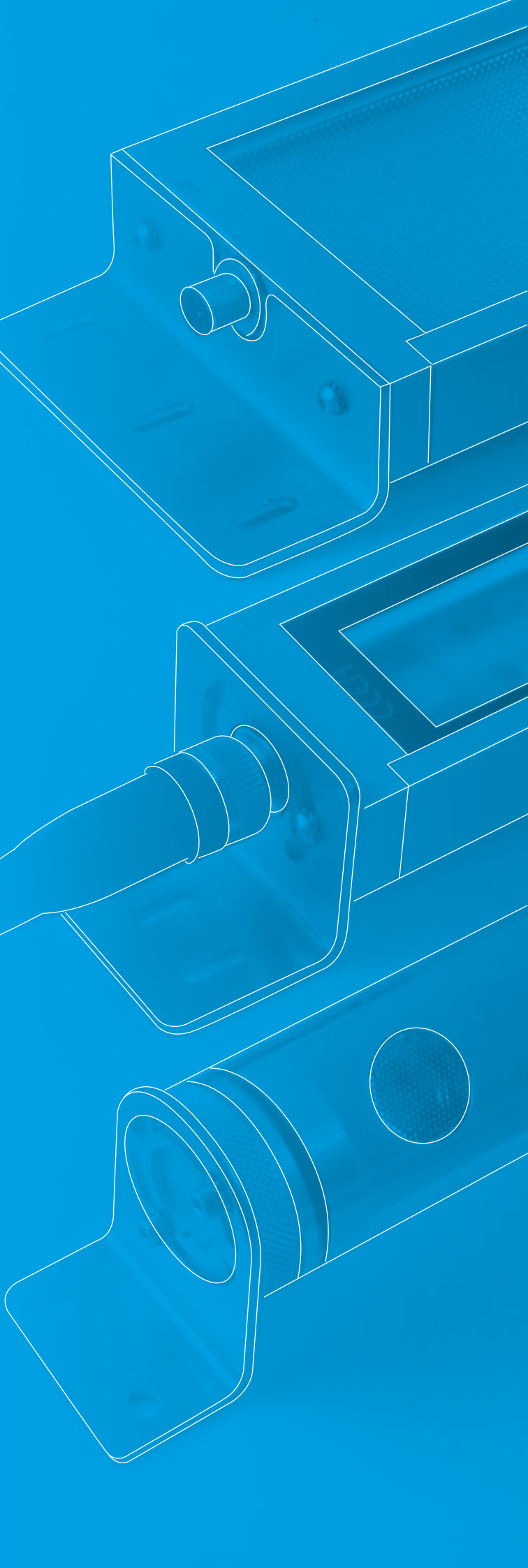
## ORDER CODES

<b>BIG2.10.N.DIM</b>	1,0x - black - 230 V dim.	<b>BIG2.10.B</b>	1,0x - R7035 - 230 V	<b>BIG2.19.N</b>	1,9x - black - 230 V
<b>BIG2.10.B.DIM</b>	1,0x - R7035 - 230 V dim.	<b>BIG2.19.N.DIM</b>	1,9x - black - 230 V dim.	<b>BIG2.19.B</b>	1,9x - R7035 - 230 V
<b>BIG2.10.N</b>	1,0x - black - 230 V	<b>BIG2.19.B.DIM</b>	1,9x - R7035 - 230 V dim.		

## LUMINANCE DIAGRAMS







## Accessories

- Fastenings
- Power supply units
- Cables and connectors

## Fastenings

Accessories



Magnetic base  
for lamps with an ABS base

Cod. B01



Magnetic base  
for lamps with an aluminium base

Cod. B02



Fastening clamp  
for lamps with an ABS base

Cod. CLAMP.03



Fastening clamp  
for lamps with an aluminium base

Cod. CLAMP.04



Stainless steel fastening clips  
for the T-LED series

Cod. CLIP.36



Adjustable stainless steel fastening plates  
for the TABIT series

Cod. TABIT.FX02



Fastening accessories for the JOB series

Cod. JOB.FX01



Adjustable stainless steel fastening plates for the T-CITY/T-LED series

Cod. T.FX01



Adjustable stainless steel fastening plates for the TRACK ALPHA

Cod. ALPHA.FX01



Mounting bracket for rear fastening for TRACK ALPHA

Cod. ALPHA.CLIP



Adapter for side fastening for TRACK ALPHA

Cod. ALPHA.ADP



Adjustable stainless steel fastening plates for HERIO NOVA

Cod. HERIONOVA.FX01



Rear fastening kit for HERIO NOVA

Cod. HERIONOVA.FX02

M12 female movable connector 4P with 1.5 m cable

Cod. M12V.F.3C1,5



M12 female movable connector 4P with 3 m cable

Cod. M12V.F.3C3

M12 female movable connector 4P with 5 m cable

Cod. M12V.F.3C5

M12 female movable connector 4P with 10 m cable

Cod. M12V.F.3C10



M12 female movable connector

Cod. N10610001040302



M12 female 90° movable connector 4P  
with 1.5 m cable

Cod. M12V.FL.3C1,5



M12 female 90° movable connector 4P  
with 3 m cable

Cod. M12V.FL.3C3

M12 female 90° movable connector 4P  
with 5 m cable

Cod. M12V.FL.3C5

M12 female 90° movable connector 4P  
with 10 m cable

Cod. M12V.FL.3C10



M12 female 90° movable connector

Cod. N11910001040302



AC/DC power supply unit  
110/230V-24Vdc - 60W

Cod. A0361005060922D











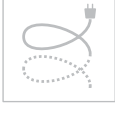




AC/DC power supply unit  
110/230V-24Vdc - 100W

Cod. A0371005061023D

# Symbol key

---

	Lamp designed for use on automatic machine tools: CNC and EDM.		High energy saving technology.
	Lamp designed for use on manual machine tools: milling tools, lathes and drills.		Device equipped with a circuit with an integrated 24Vdc LED driver (Integrated Driver System).
	Lamp designed for use on workbenches and as industrial lighting.		Concentrated beam.
	Lamp designed for use inside food processing and bottling machines.		Diffused beam.
	Lamp designed for quality control and precision lighting.		LED technology device.
			Variable cable length.
			Degree of protection in accordance with standard EN-60529.
			Product complies with European Regulations (2004/08/EC - 2006/95/EC) for EC labelling - 2000/55/EC - 2008/35/EC.



The information and photographs shown in this catalogue are purely indicative, C.C.E.A. reserves the right to make technical or structural changes at any time to improve the quality of its products.

Edition: February 2016

[www.ccealights.com](http://www.ccealights.com)





**C.C.E.A. srl**  
Via Piave, 2  
36077 - Altavilla Vicentina (VI) - Italy

Tel. +39 0444 572083  
Fax +39 0444 572337

[ccea@ccealights.com](mailto:ccea@ccealights.com)  
[www.ccealights.com](http://www.ccealights.com)