



NEW

CENALED SPOT Gelenkkopf (swivel head) Shadow-free, object accuracy, movable

With the CENALED SPOT swivel head, every workplace can be illuminated quickly and easily. Its fastening, either stationary via the screw-on base or flexible via accessories such as magnetic clamps or table clamps, allows focused illumination of work areas in machine tools and equipment. It does not matter whether it is a simple application or use under harsh production conditions. The CENALED SPOT is optimally protected with IP65 or IP67.

The technology

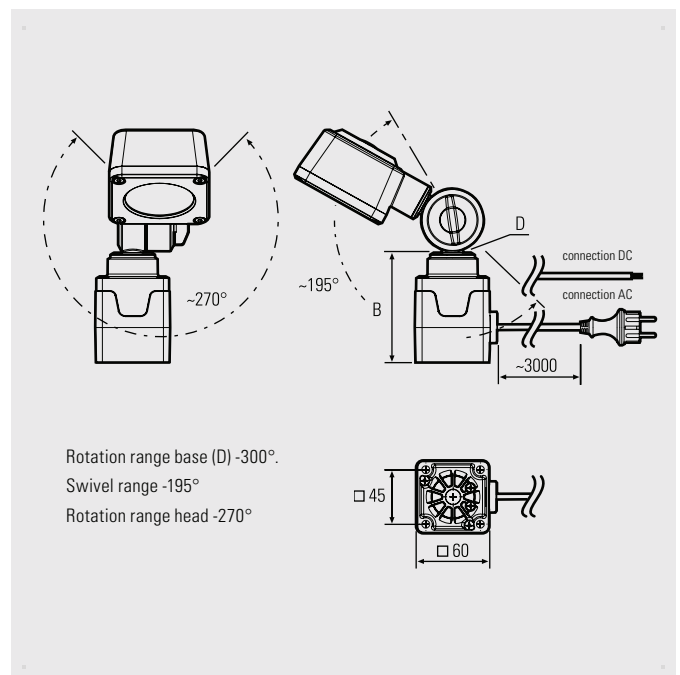
- High-performance LED chips for 5 000K neutral white
- On / off and dimmable using buttons on the lamp head
- It is also supplied in a 24V DC variant or in a variant for direct connection to 100-305V AC, each with a 3 m lead

Your benefits

- Compact luminaires for bright illumination in neutral white and with a high level of detailed sharpness
- If necessary, the head can be brought into almost any position via the head and base joint and the light can be directed to the object in question
- 30° beam angle for focused illumination

Areas of application

- Work areas of machines such as drilling machines, machine tools or injection moulding machines
- Areas in industry and in plants where focused light is needed



ON / OFF and dimming button

Crack-proof safety glass

Rotary and swivelling head

Screw-on base as a basis for various fastening options (screws included)

Joint locking

CENALED SPOT Gelenkkopf (swivel head) AC

CENALED SPOT Gelenkkopf (swivel head) DC

version 24 V DC

- 24V DC
- III
- IP67
- 3m
- ETL

version 100-305 V AC

- 100 V 305 V AC
- III
- IP65
- 3m

Technical icons: ≥80, 5000K, +50 -10, 36 months, Germany, 60.000h (L80/B10), 100% CNC

CENALED SPOT Gelenkkopf (swivel head)	Product no.	Base (B)	Optics	E _{max} *	Lamp luminous flux	Output	Connection
CENALED SPOT Gelenkkopf DC, screw-on base	121012-03	59 mm	30°	9212 lx	1120 lm	~8,5 W	24V DC
CENALED SPOT Gelenkkopf AC, screw-on base	121012-13	88 mm	30°	9212 lx	1120 lm	~9 W	100-305V AC

Connection materials or power supply units, see Accessories.

* maximum lighting intensities, measurement area 100 cm x 100 cm at 100 cm distance

The CENALED SPOT is part of the CENALED modular system. The basic module of every light is the screw-on base for a 24V DC or 100-305 V AC connection. The modular structure is supplemented with an articulated arm, flexible arm or a directly mounted swivel head. The lamp head has an on/off switch and brightness control (dimming). The screw-on base allows several fastening options, for example using a magnetic clamp or a table clamp.

Accessories	Product no.
Holding magnet for CENALED screw-on base	220500-01
Table clamp for CENALED screw-on base	220500-02
Wall bracket for CENALED screw-on base	220500-03

