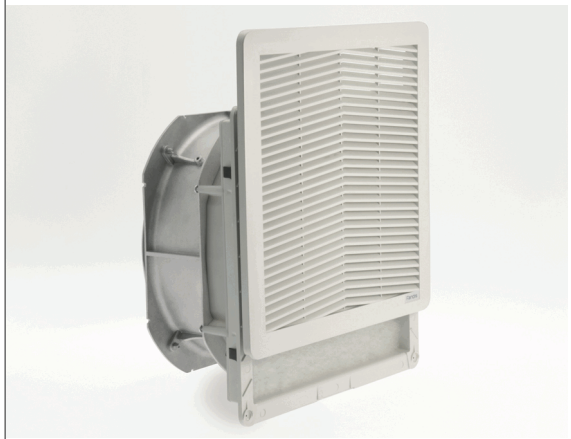


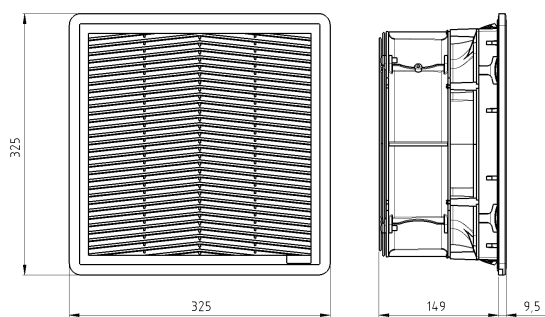
"FF20GA" SERIES FAN FILTERS

Description: Fan Filters 115/230 Va.c.

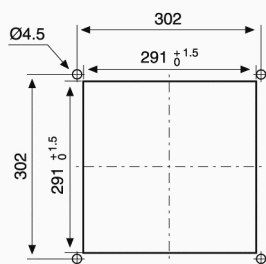


Type of material:	PC/ABS Alloy, PA 66 GF13 HSL for elastic clips
Standard color:	RAL 7035 - other colors on request
Protection degree:	IP54, according to EN 60529 standard
Fixing system:	by elastic clips, otherwise by four self-threading screws
Plate thickness:	from 1.3 mm to 3.7 mm (up to 4 mm with cut-out max tolerance)
Motor Lifetime L10 at 25°C:	53,000/78,000 h for 115V 57,500/70,000 h for 230V
Working class of capacitor:	class B for 115V models class A for 230V models
Motor protection:	thermal
Electrical connection:	by terminal block L-N-PE
Appliance class:	class I
Type of filter media:	thermo-linked progressive structure synthetic fibre
Filtering class:	G3, according to EN 779
Degree of separation:	85% - DIN 24185
Dust retention capacity:	600 g/m ²
Note:	filter media is washable about 10 times
Weight:	4.5 kg
Approvals:	CE

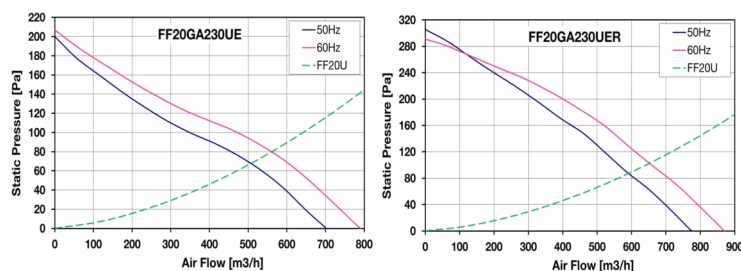
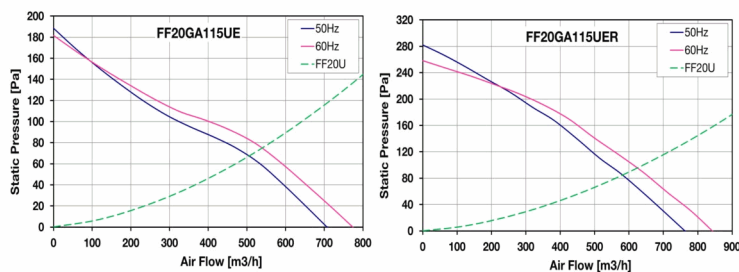
technical drawing



mounting cut-out



IP 54



Model	Voltage	Frequency	Rated Current	Rated Power	Max Air Flow**	Static Pressure	Fan Noise	Rated Temp. Range	Approvals
	(V)	(Hz)	(A)	(W)	(m3/h)	(Pa)	[db(A)]	(°C)	
FF20GA115UE	115 V a.c.	50/60	1.3/1.5	143/177	708/775	188/181	74.7/78.9	-10 + +60	CE
FF20GA115UER	115 V a.c.	50/60	1.1/1.7	124/192	760/845	282/258	74.7/78.9	-10 + +60	CE
FF20GA230UE	230 V a.c.	50/60	0.67/0.84	155/194	705/790	200/206	72.8/75.8	-10 + +60	CE
FF20GA230UER	230 V a.c.	50/60	0.74/0.90	170/208	773/870	306/291	72.8/75.8	-10 + +60	CE

data with uncertainty of 15%

All specifications, data and drawing are subject to change without notice and are approximate. Please refer to our terms of sales including our warranty and limited liabilities clause