

Soft Starter with reversing function VersiStart II 9 PS 1.05

Features:

- two-phase controlled soft starter with reversing function
- controlled by microcontroller
- currentless reversing with relay, soft start with thyristors
- 4 potentiometers to adjust starting torque, stopping torque, acceleration /deceleration time and overcurrent limit
- electrically isolated 24V inputs for clockwise / anti clockwise rotation
- reset via device panel or external reset switch
- 4 LEDs as status indicators
- current and torque reduction during start-up
- integrated bypass relay
- integrated mains contactor
- ultra-slim compact design, width: 22,5mm
- degree of protection IP20



Soft Starter with reversing function
VersiStart II 9 PS
CE

Function:

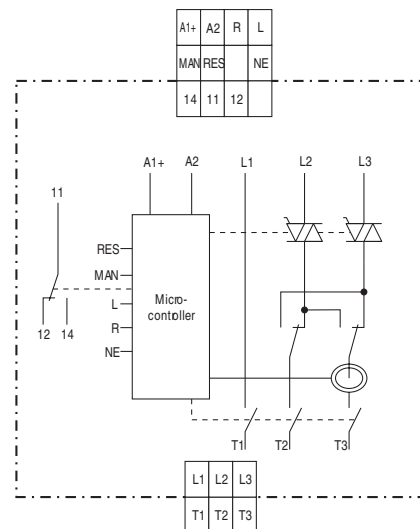
- soft start and soft stop
- reversing function
- current monitoring
- blocking protection
- potential-free relay outputs for operational status
- signalling output programmable acc. to customer requirements

Typical Applications:

reversing drive for door and gate control, bridge drives and hoisting gear with blocking protection
conveying systems with blocking protection
actuators in process technology with blocking protection
points drives

Option: (upon request)

- special acceleration/deceleration time 0 ... 1s

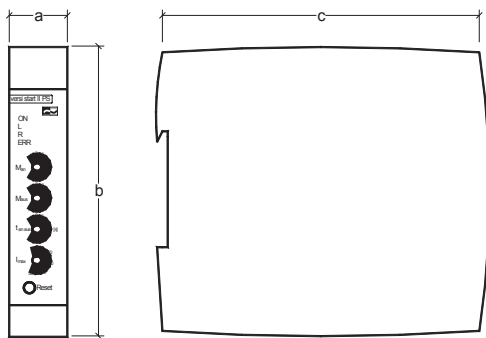


Typical designation	VersiStart II 9 PS
rated device current	9A
mains / motor voltage acc. to DIN EN 50160 (IEC 38)	200-480V ±10% 50/60Hz
motor rating at 400V mains voltage	4kW
order number	25610.40009

Please observe supplementary sheet with dimensioning rules!

Technical data	VersiStart II 9 PS
mains / motor voltage acc. to DIN EN 50160 (IEC 38)	200-480V $\pm 10\%$ 50/60Hz
rated device current	9A
motor rating at 400V mains voltage	4kW
power consumption	2W
min. motor rating	25W
operating mode	9,0A: AC 53a: 6-2 100-30
auxiliary voltage	24VDC $\pm 10\%$
acceleration time	1 ... 10s (special times available)
start voltage	30 ... 80%
deceleration time	1 ... 10s (special times available)
restart time	250ms
I^2t –power semiconductor in A ² s	200
overcurrent measuring unit	5 ... 50A
cross-sectional area for connetion	0,34 ... 2,5mm ²
switching capacity relay output open/ close contact	3A/230VAC; 1A/230VAC
ambient / storage temperature	0 ... 60°C (derating)
weight / kg	0,25kg

Dimensions:



Mounting dimensions	a	b	c
VersiStart II 9 PS	22,5	105	120,3

All dimensions indicated in mm.

Connection Diagram:

